



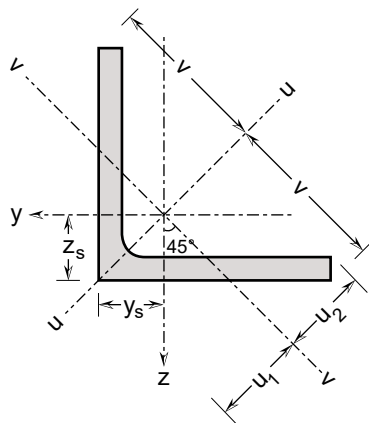
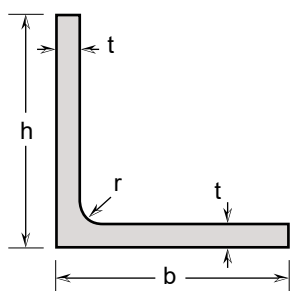
Catalogo profili laminati

ACCIAI INOSSIDABILI • ACCIAI AL CARBONIO
ACCIAI LEGATI • DUPLEX + SUPERDUPLEX
LEGHE DI NICKEL

ACCIAI ESOTICI IN OGNI FORMA

Indice

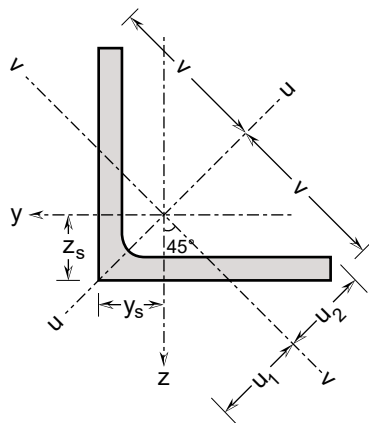
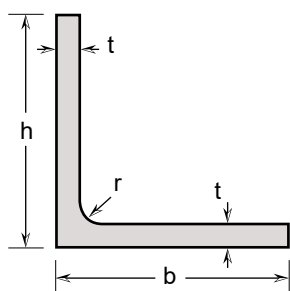
Angolare lati uguali	p. 3
Angolare lati disuguali	p. 8
Profilo HE - HEA - HEB - HEM	p. 12
Profilo IPE	p. 17
Profilo IPN	p. 21
Profilo T flange disuguali	p. 23
Profilo T flange uguali	p. 24
Profilo U UPN	p. 29
Profilo U UPA flange parallele	p. 31
Profilo U UPE flange parallele	p. 32
Profilo U PFC flange parallele	p. 33



ANGOLARE LATI UGUALI

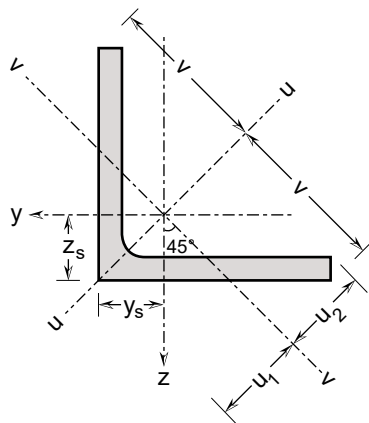
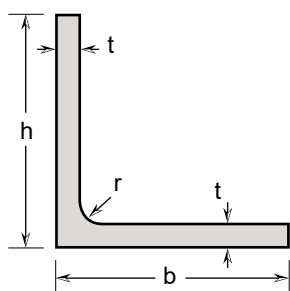
Dimensioni EN 10056-1: 1998 Tolleranza : EN 10056-2:1993.

General properties / Generelle Eigenschaften / Valeurs generaux									
Designation Bezeichnung Désignation		Dimensions Abmessungen Dimensions				Position of axes Lage der Achsen Position des axes			
	G kg/m	h = b mm	t mm	r mm	A mm ² x10 ²	z _s =y _s mm	v mm	u ₁ mm	u ₂ mm
L 15 x 15 x 2	0.45	15	2	2.5	0.57	4.39	10.61	6.21	5.29
L 15 x 15 x 3	0.66	15	3	3	0.82	4.76	10.61	6.73	5.37
L 20 x 20 x 2	0.89	20	3	2.5	1.12	6.03	14.14	8.53	7.21
L 20 x 20 x 3	0.90	20	3	3.5	1.12	5.98	14.14	8.46	7.08
L 20 x 20 x 4	1.16	20	4	3.5	1.45	6.37	14.14	9.01	7.24
L 25 x 25 x 3	1.14	25	3	3.5	1.42	7.23	17.68	10.22	8.85
L 25 x 25 x 4	1.48	25	4	3.5	1.85	7.62	17.68	10.78	9.01
L 25 x 25 x 5	1.82	25	5	5	2.28	7.93	17.68	11.22	8.96
L 30 x 30 x 3	1.39	30	3	5	1.74	8.35	21.21	11.81	10.49
L 30 x 30 x 4	1.81	30	4	5	2.27	8.78	21.21	12.42	10.58
L 30 x 30 x 5	2.22	30	5	5	2.78	9.18	21.21	12.99	10.73
L 30 x 30 x 6	2.61	30	6	5	3.27	9.56	21.21	13.52	10.90
L 35 x 35 x 4	2.13	35	4	5	2.67	10.03	24.75	14.18	12.36
L 35 x 35 x 5	2.62	35	5	5	3.28	10.43	24.75	14.75	12.50
L 40 x 40 x 3	1.87	40	3	5	2.34	10.84	28.28	15.33	14.04
L 40 x 40 x 4	2.46	40	4	6	3.08	11.20	28.28	15.83	14.04
L 40 x 40 x 5	3.03	40	5	6	3.79	11.62	28.28	16.43	14.14
L 40 x 40 x 6	3.58	40	6	6	4.48	12.02	28.28	17.00	14.29
L 45 x 45 x 3	2.13	45	3	7	2.66	11.84	31.82	16.74	15.75
L 45 x 45 x 4	2.79	45	4	7	3.49	12.35	31.82	17.46	15.74
L 45 x 45 x 5	3.44	45	5	7	4.30	12.79	31.82	18.09	15.81
L 50 x 50 x 3	2.37	50	3	7	2.96	13.08	35.36	18.49	17.53
L 50 x 50 x 4	3.11	50	4	7	3.89	13.59	35.36	19.21	17.52



General properties / Generelle Eigenschaften / Valeurs generaux

Designation Bezeichnung Désignation		Dimensions Abmessungen Dimensions				Position of axes Lage der Achsen Position des axes			
	G kg/m	h = b mm	t mm	r mm	A mm ² x10 ²	z _s =y _s mm	v mm	u ₁ mm	u ₂ mm
L 50 x 50 x 5	3.84	50	5	7 / 2 *	4.80	14.04	35.36	19.85	17.59
L 50 x 50 x 6	4.55	50	6	7 / 2 *	5.69	14.45	35.36	20.44	17.71
L 50 x 50 x 7	5.25	50	7	7 / 2 *	6.56	14.85	35.36	21.01	17.85
L 50 x 50 x 8	5.93	50	8	7 / 2 *	7.41	15.24	35.36	21.55	18.01
L 60 x 60 x 5	4.65	60	5	8 / 2 *	5.82	16.44	42.43	23.24	21.06
L 60 x 60 x 6	5.53	60	6	8 / 2 *	6.91	16.88	42.43	23.87	21.15
L 60 x 60 x 7	6.38	60	7	8 / 2 *	7.98	17.29	42.43	24.45	21.27
L 60 x 60 x 8	7.22	60	8	8 / 2 *	9.03	17.69	42.43	25.02	21.41
L 60 x 60 x 10	8.85	60	10	8 / 2 *	11.07	18.46	42.43	26.10	21.74
L 65 x 65 x 6	6.02	65	6	9 / 2 *	7.53	18.04	45.96	25.51	22.83
L 65 x 65 x 7	6.96	65	7	9 / 2 *	8.70	18.47	45.96	26.12	22.93
L 65 x 65 x 8	7.88	65	8	9 / 2 *	9.85	18.88	45.96	26.70	23.06
L 65 x 65 x 9	8.78	65	9	9 / 2 *	10.98	19.28	45.96	27.26	23.20
L 65 x 65 x 10	9.67	65	10	9 / 2 *	12.09	19.66	45.96	27.81	23.36
L 70 x 70 x 5	5.47	70	5	9 / 2 *	6.84	18.82	49.50	26.62	24.55
L 70 x 70 x 6	6.50	70	6	9 / 2 *	8.13	19.28	49.50	27.27	24.61
L 70 x 70 x 7	7.52	70	7	9 / 2 *	9.40	19.71	49.50	27.88	24.70
L 70 x 70 x 8	8.53	70	8	10 / 2 *	10.67	20.06	49.50	28.37	24.72
L 70 x 70 x 9	9.50	70	9	9 / 2 *	11.88	20.53	49.50	29.03	24.97
L 70 x 70 x 10	10.47	70	10	9 / 2 *	13.09	20.91	49.50	29.58	25.13
L 75 x 75 x 5	5.87	75	5	9 / 2 *	7.34	20.06	53.03	28.37	26.33
L 75 x 75 x 6	6.98	75	6	9 / 2 *	8.73	20.53	53.03	29.03	26.38
L 75 x 75 x 7	8.08	75	7	9 / 2 *	10.10	20.96	53.03	29.64	26.48
L 75 x 75 x 8	9.16	75	8	9 / 2 *	11.45	21.37	53.03	30.23	26.60
L 75 x 75 x 9	10.22	75	9	9 / 2 *	12.78	21.77	53.03	30.79	26.74
L 75 x 75 x 10	11.27	75	10	9 / 2 *	14.09	22.16	53.03	31.35	26.89

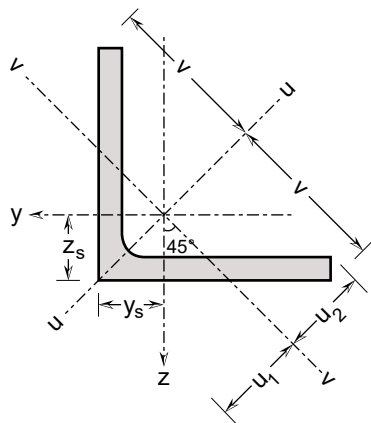
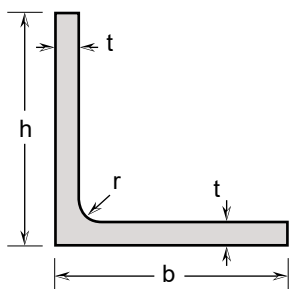


ANGOLARE LATI UGUALI

Dimensions: in accordance with EN 10056-1: 1998
Tolerances: EN 10056-2:1993.

General properties / Generelle Eigenschaften / Valeurs generaux

Designation Bezeichnung Désignation		Dimensions Abmessungen Dimensions				Position of axes Lage der Achsen Position des axes			
	G kg/m	h = b mm	t mm	r mm	A mm ² x10 ²	z _s =y _s mm	v mm	u ₁ mm	u ₂ mm
L 80 x 80 x 6	7.48	80	6	10 / 2 *	9.35	21.67	56.57	30.65	28.09
L 80 x 80 x 7	8.65	80	7	10 / 2 *	10.82	22.12	56.57	31.29	28.16
L 80 x 80 x 8	9.81	80	8	10 / 2 *	12.27	22.55	56.57	31.89	28.26
L 80 x 80 x 9	10.96	80	9	10 / 2 *	13.70	22.96	56.57	32.47	28.39
L 80 x 80 x 10	12.09	80	10	10 / 2 *	15.11	23.36	56.57	33.04	28.53
L 90 x 90 x 6	8.44	90	6	10 / 2 *	10.55	24.16	63.64	34.17	31.64
L 90 x 90 x 7	9.79	90	7	11 / 2 *	12.24	24.52	63.64	34.68	31.63
L 90 x 90 x 8	11.11	90	8	11 / 2 *	13.89	24.96	63.64	35.31	31.71
L 90 x 90 x 9	12.42	90	9	11 / 2 *	15.52	25.39	63.64	35.90	31.82
L 90 x 90 x 10	13.70	90	10	11 / 2 *	17.13	25.80	63.64	36.48	31.95
L 100 x 100 x 6	9.44	100	6	12 / 2 *	11.79	26.42	70.71	37.36	35.10
L 100 x 100 x 7	10.93	100	7	12 / 2 *	13.66	26.91	70.71	38.06	35.12
L 100 x 100 x 8	12.41	100	8	12 / 2 *	15.51	27.37	70.71	38.70	35.18
L 100 x 100 x 9	13.88	100	9	12 / 2 *	17.34	27.80	70.71	39.32	35.27
L 100 x 100 x 10	15.32	100	10	12 / 2 *	19.15	28.22	70.71	39.92	35.38
L 100 x 100 x 12	18.17	100	12	12 / 2 *	22.71	29.03	70.71	41.06	35.65
L 110 x 110 x 6	10.40	110	6	12 / 2 *	12.99	28.91	77.78	40.88	38.66
L 110 x 110 x 7	12.05	110	7	12 / 2 *	15.06	29.40	77.78	41.58	38.67
L 110 x 110 x 8	13.69	110	8	12 / 2 *	17.11	29.86	77.78	42.23	38.73
L 110 x 110 x 9	15.32	110	9	12 / 2 *	19.14	30.30	77.78	42.85	38.81
L 110 x 110 x 10	16.95	110	10	13 / 2 *	21.18	30.64	77.78	43.34	38.82
L 110 x 110 x 11	18.54	110	11	13 / 2 *	23.17	31.06	77.78	43.93	38.94
L 110 x 110 x 12	20.11	110	12	13 / 2 *	25.14	31.47	77.78	44.50	39.07
L 120 x 120 x 7	13.19	120	7	13 / 2 *	16.49	31.78	84.85	44.94	42.17
L 120 x 120 x 8	14.99	120	8	13 / 2 *	18.74	32.25	84.85	45.61	42.21
L 120 x 120 x 9	16.78	120	9	13 / 2 *	20.97	32.70	84.85	46.25	42.27
L 120 x 120 x 10	18.55	120	10	13 / 2 *	23.18	33.14	84.85	46.86	42.37

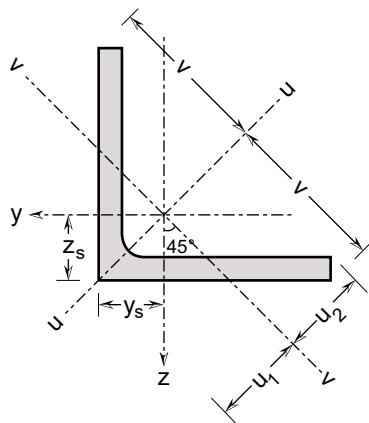
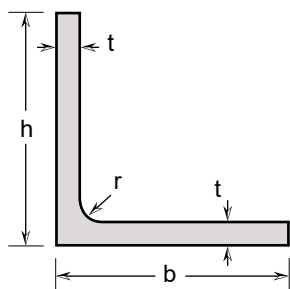


ANGOLARI LATI UGUALI

Dimensions: in accordance with EN 10056-1: 1998
Tolerances: EN 10056-2:1993.

General properties / Generelle Eigenschaften / Valeurs generaux

Designation Bezeichnung Désignation		Dimensions Abmessungen Dimensions				Position of axes Lage der Achsen Position des axes			
	G kg/m	h = b mm	t mm	r mm	A mm ² x10 ²	z _s =y _s mm	v mm	u ₁ mm	u ₂ mm
L 120 x 120 x 11	20.30	120	11	13 / 2 *	25.37	33.56	84.85	47.46	42.48
L 120 x 120 x 12	22.03	120	12	13 / 2 *	27.54	33.97	84.85	48.03	42.61
L 120 x 120 x 13	23.75	120	13	13 / 2 *	29.69	34.37	84.85	48.60	42.75
L 120 x 120 x 14	25.46	120	14	13 / 2 *	31.82	34.76	84.85	49.16	42.90
L 120 x 120 x 15	27.15	120	15	13 / 2 *	33.93	35.15	84.85	49.71	43.06
L 120 x 120 x 16	28.82	120	16	13 / 2 *	36.02	35.53	84.85	50.25	43.22
L 130 x 130 x 8	16.30	130	8	14 / 2 *	20.37	34.64	91.92	48.98	45.70
L 130 x 130 x 9	18.24	130	9	14 / 2 *	22.80	35.10	91.92	49.64	45.75
L 130 x 130 x 10	20.17	130	10	14 / 2 *	25.21	35.55	91.92	50.27	45.83
L 130 x 130 x 11	22.08	130	11	14 / 2 *	27.60	35.98	91.92	50.88	45.93
L 130 x 130 x 12	23.98	130	12	14 / 2 *	29.97	36.39	91.92	51.47	46.04
L 130 x 130 x 13	25.86	130	13	14 / 2 *	32.32	36.80	91.92	52.05	46.17
L 130 x 130 x 14	27.72	130	14	14 / 2 *	34.65	37.20	91.92	52.61	46.31
L 130 x 130 x 15	29.57	130	15	14 / 2 *	36.96	37.60	91.92	53.17	46.46
L 130 x 130 x 16	31.40	130	16	14 / 2 *	39.25	37.99	91.92	53.72	46.62
L 140 x 140 x 9	19.71	140	9	15 / 2 *	24.63	37.49	98.99	53.02	49.23
L 140 x 140 x 10	21.79	140	10	15 / 2 *	27.24	37.95	98.99	53.67	49.29
L 140 x 140 x 11	23.87	140	11	15 / 2 *	29.83	38.39	98.99	54.29	49.38
L 140 x 140 x 12	25.92	140	12	15 / 2 *	32.40	38.81	98.99	54.89	49.48
L 140 x 140 x 13	27.96	140	13	15 / 2 *	34.95	39.23	98.99	55.48	49.60
L 140 x 140 x 14	29.99	140	14	15 / 2 *	37.48	39.64	98.99	56.06	49.73
L 140 x 140 x 15	31.99	140	15	15 / 2 *	39.99	40.04	98.99	56.62	49.87
L 140 x 140 x 16	33.99	140	16	15 / 2 *	42.48	40.43	98.99	57.18	50.02
L 150 x 150 x 10	23.42	150	10	16 / 2 *	29.27	40.34	106.07	57.05	52.77
L 150 x 150 x 12	27.87	150	12	16 / 2 *	34.83	41.23	106.07	58.31	52.93
L 150 x 150 x 13	30.07	150	13	16 / 2 *	37.58	41.65	106.07	58.90	53.04
L 150 x 150 x 14	32.25	150	14	16 / 2 *	40.31	42.07	106.07	59.49	53.16
L 150 x 150 x 15	34.42	150	15	16 / 2 *	43.02	42.47	106.07	60.07	53.29

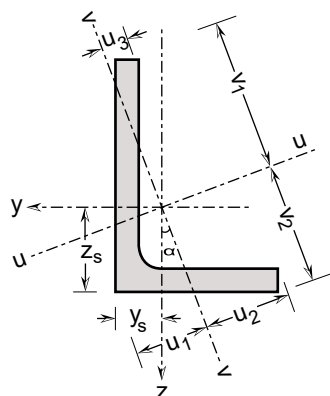
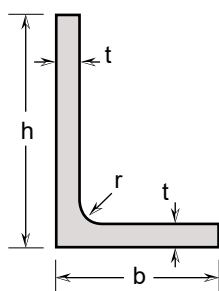


ANGOLARE LATI UGUALI

Dimensions: in accordance with EN 10056-1: 1998
Tolerances: EN 10056-2:1993.

General properties / Generelle Eigenschaften / Valeurs generaux									
Designation Bezeichnung Désignation		Dimensions Abmessungen Dimensions				Position of axes Lage der Achsen Position des axes			
	G kg/m	h = b mm	t mm	r mm	A mm ² x10 ²	z _s =y _s mm	v mm	u ₁ mm	u ₂ mm
L 150 x 150 x 16	36.57	150	16	16 / 2 *	45.71	42.87	106.07	60.63	53.43
L 150 x 150 x 18	40.83	150	18	16 / 2 *	51.03	43.66	106.07	61.74	53.74
L 150 x 150 x 20	45.02	150	20	16 / 2 *	56.27	44.43	106.07	62.83	54.07
L 160 x 160 x 15	36.85	160	15	2 +	46.06	44.90	113.14	63.50	56.72
L 160 x 160 x 16	39.16	160	16	2 +	48.95	45.31	113.14	64.08	56.85
L 160 x 160 x 18	43.74	160	18	2 +	54.67	46.10	113.14	65.20	57.14
L 160 x 160 x 20	48.25	160	20	2 +	60.31	46.88	113.14	66.30	57.46
L 180 x 180 x 13	36.37	180	13	2 +	45.46	48.97	127.28	69.26	63.49
L 180 x 180 x 15	41.68	180	15	2 +	52.10	49.82	127.28	70.46	63.70
L 180 x 180 x 16	44.31	180	16	2 +	55.39	50.24	127.28	71.05	63.82
L 180 x 180 x 18	49.53	180	18	2 +	61.91	51.04	127.28	72.19	64.09
L 180 x 180 x 20	54.68	180	20	2 +	68.35	51.83	127.28	73.30	64.39
L 200 x 200 x 13	40.53	200	13	2 +	50.66	53.96	141.42	76.31	70.57
L 200 x 200 x 15	46.48	200	15	2 +	58.10	54.82	141.42	77.52	70.78
L 200 x 200 x 16	49.43	200	16	2 +	61.79	55.23	141.42	78.11	70.90
L 200 x 200 x 18	55.29	200	18	2 +	69.11	56.04	141.42	79.26	71.17
L 200 x 200 x 20	61.08	200	20	2 +	76.35	56.83	141.42	80.38	71.46
L 250 x 250 x 13	50.93	250	13	2 +	63.66	66.44	176.78	93.96	88.28
L 250 x 250 x 15	58.48	250	15	2 +	73.10	67.30	176.78	95.18	88.47
L 250 x 250 x 18	69.69	250	18	2 +	87.11	68.54	176.78	96.93	88.85
L 250 x 250 x 20	77.08	250	20	2 +	96.35	69.34	176.78	98.06	89.13
L 300 x 300 x 13	61.33	300	13	2 +	76.66	78.93	212.13	111.63	105.97
L 300 x 300 x 15	70.48	300	15	2 +	88.10	79.80	212.13	112.85	106.16
L 300 x 300 x 16	75.03	300	16	2 +	93.79	80.22	212.13	113.44	106.28
L 300 x 300 x 18	84.09	300	18	2 +	105.11	81.04	212.13	114.60	106.53
L 300 x 300 x 20	93.08	300	20	2 +	116.35	81.84	212.13	115.74	106.81

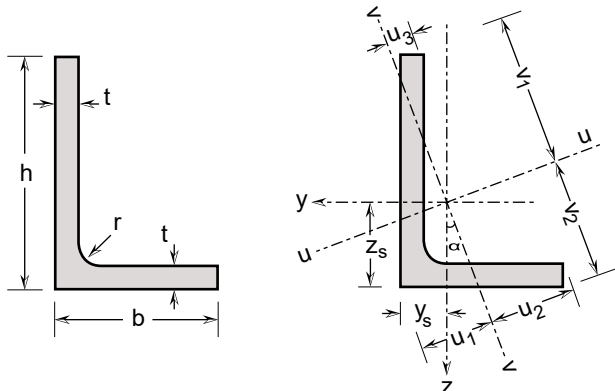
also available or + only available as laser welded with full penetration, non tapered, equivalent to hot rolled (r = laser seam).
auch bzw. + nur Lasergeschweisst mit Vollenbindung erhältlich, ohne Konizität, gleichwertig zu warm gewalzt (r = Laser Naht).
aussi ou + seulement soudé laser avec pénétration complète, non conique, équivalent au laminé à chaud (r = cordon laser).



ANGOLARE LATI DISUGUALI

Dimensions: in accordance with EN 10056-1: 1998
Tolerances: EN 10056-2:1993

Proprietà Generali														
Designation Bezeichnung Désignation		Dimensions Abmessungen Dimensions					Position of axes Lage der Achsen Position des axes							
	G kg/m	h mm	b mm	t mm	r mm	A mm ² x10 ²	ys mm	zs mm	v ₁ mm	v ₂ mm	u ₁ mm	u ₂ mm	u ₃ mm	
L 20 x 10 x 3	0.66	20	10	3	3.5	0.82	2.77	7.62	12.69	9.08	4.46	5.61	2.72	
L 25 x 15 x 3	0.90	25	15	3	3.5	1.12	3.87	8.76	16.62	11.91	6.52	8.17	4.00	
L 30 x 15 x 3	1.03	30	15	3	5	1.29	3.56	10.75	19.54	13.18	6.04	8.71	3.55	
L 30 x 20 x 3	1.15	30	20	3	5	1.44	4.97	9.78	20.55	14.87	8.39	10.42	5.29	
L 30 x 20 x 4	1.49	30	20	4	5	1.87	5.38	10.24	20.31	15.09	8.92	10.30	5.59	
L 40 x 20 x 3	1.39	40	20	3	5	1.74	4.37	14.06	26.22	17.48	7.70	11.89	4.51	
L 40 x 20 x 4	1.82	40	20	4	6	2.28	4.76	14.42	25.97	17.67	8.10	11.64	4.79	
L 40 x 20 x 5	2.23	40	20	5	6	2.79	5.17	14.89	25.62	17.98	8.55	11.44	5.16	
L 40 x 30 x 3	1.63	40	30	3	5	2.04	7.34	12.21	27.92	21.55	12.28	14.62	8.56	
L 40 x 30 x 4	2.14	40	30	4	6	2.68	7.71	12.57	27.81	21.64	12.75	14.49	8.68	
L 40 x 30 x 5	2.63	40	30	5	6	3.29	8.12	13.01	27.63	21.80	13.30	14.44	8.93	
L 45 x 30 x 3	1.77	45	30	3	7	2.21	6.80	13.94	31.25	21.89	11.70	16.00	7.53	
L 45 x 30 x 4	2.31	45	30	4	7	2.89	7.26	14.49	30.92	22.23	12.36	15.72	7.85	
L 45 x 30 x 5	2.84	45	30	5	7	3.55	7.69	14.97	30.65	22.48	12.92	15.57	8.15	
L 50 x 30 x 3	1.89	50	30	3	7	2.36	6.46	16.02	34.21	22.88	11.38	16.98	6.97	
L 50 x 30 x 4	2.47	50	30	4	7	3.09	6.92	16.58	33.83	23.28	12.02	16.66	7.33	
L 50 x 30 x 5	3.04	50	30	5	7	3.80	7.35	17.07	33.51	23.57	12.56	16.46	7.66	
L 50 x 40 x 3	2.13	50	40	3	7	2.66	9.58	14.38	35.35	28.20	15.70	18.61	11.77	
L 50 x 40 x 4	2.79	50	40	4	7	3.49	10.06	14.91	35.14	28.43	16.40	18.41	11.97	
L 50 x 40 x 5	3.44	50	40	5	7	4.30	10.50	15.38	34.98	28.58	17.01	18.33	12.19	
L 60 x 30 x 5	3.45	60	30	5	8	4.32	6.75	21.28	39.20	26.31	11.75	17.70	6.91	
L 60 x 30 x 6	4.09	60	30	6	8	5.11	7.17	21.76	38.83	26.65	12.23	17.48	7.28	
L 60 x 30 x 7	4.70	60	30	7	8	5.88	7.57	22.22	38.50	26.94	12.66	17.30	7.64	

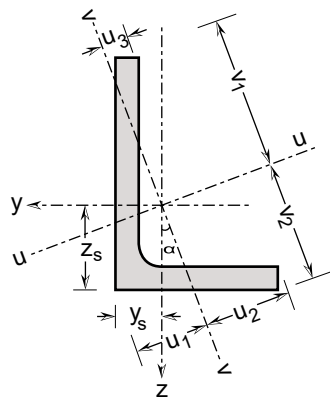
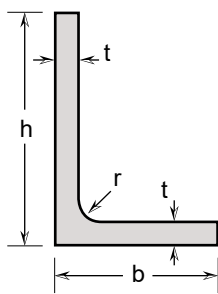


ANGOLARE LATI DISUGUALI

Dimensions: in accordance with EN 10056-1: 1998
Tolerances: EN 10056-2:1993

Proprietà Generali														
Designation Bezeichnung Désignation		Dimensions Abmessungen Dimensions					Position of axes Lage der Achsen Position des axes							
	G kg/m	h mm	b mm	t mm	r mm	A mm ² x10 ²	y _s mm	z _s mm	v ₁ mm	v ₂ mm	u ₁ mm	u ₂ mm	u ₃ mm	
L 60 x 40 x 5	3.85	60	40	5	8 / 2 *	4.82	9.61	19.33	41.17	29.74	16.45	21.03	10.54	
L 60 x 40 x 6	4.57	60	40	6	8 / 2 *	5.71	10.03	19.79	40.92	29.97	17.00	20.89	10.84	
L 65 x 50 x 5	4.47	65	50	5	9 / 2 *	5.59	12.34	19.60	45.55	35.68	20.42	23.85	14.47	
L 65 x 50 x 7	6.12	65	50	7	9 / 2 *	7.65	13.19	20.52	45.19	36.03	21.61	23.68	14.95	
L 65 x 50 x 8	6.92	65	50	8	9 / 2 *	8.65	13.59	20.94	45.04	36.16	22.15	23.67	15.20	
L 65 x 50 x 9	7.70	65	50	9	9 / 2 *	9.63	13.98	21.35	44.90	36.28	22.66	23.69	15.46	
L 70 x 50 x 6	5.54	70	50	6	9 / 2 *	6.93	12.35	22.10	48.43	36.45	20.84	25.15	13.91	
L 70 x 50 x 7	6.40	70	50	7	9 / 2 *	8.00	12.77	22.55	48.22	36.64	21.39	25.06	14.19	
L 70 x 50 x 8	7.24	70	50	8	9 / 2 *	9.05	13.17	22.98	48.03	36.81	21.92	25.01	14.46	
L 70 x 50 x 9	8.06	70	50	9	9 / 2 *	10.08	13.56	23.39	47.85	36.95	22.41	24.99	14.74	
L 75 x 50 x 6	5.78	75	50	6	9 / 2 *	7.23	11.96	24.16	51.42	37.25	20.55	26.32	13.23	
L 75 x 50 x 7	6.68	75	50	7	9 / 2 *	8.35	12.38	24.62	51.18	37.47	21.09	26.20	13.53	
L 75 x 50 x 8	7.56	75	50	8	9 / 2 *	9.45	12.78	25.05	50.95	37.67	21.60	26.11	13.83	
L 75 x 55 x 6	6.02	75	55	6	9 / 2 *	7.53	13.55	23.32	52.10	39.81	22.78	27.21	15.57	
L 75 x 55 x 7	6.96	75	55	7	9 / 2 *	8.70	13.97	23.77	51.91	39.99	23.35	27.13	15.84	
L 75 x 55 x 8	7.88	75	55	8	9 / 2 *	9.85	14.37	24.20	51.73	40.15	23.88	27.09	16.11	
L 75 x 55 x 9	8.78	75	55	9	9 / 2 *	10.98	14.77	24.61	51.56	40.29	24.39	27.07	16.37	
L 80 x 40 x 6	5.56	80	40	6	10 / 2 *	6.95	8.74	28.13	52.43	34.95	15.39	23.78	9.03	
L 80 x 40 x 8	7.25	80	40	8	10 / 2 *	9.07	9.57	29.10	51.70	35.62	16.35	23.33	9.77	
L 80 x 65 x 6	6.76	80	65	6	10 / 2 *	8.45	16.35	23.66	56.26	46.17	26.54	29.52	19.77	
L 80 x 65 x 8	8.85	80	65	8	10 / 2 *	11.07	17.21	24.56	55.98	46.44	27.73	29.44	20.20	
L 80 x 65 x 10	10.89	80	65	10	10 / 2 *	13.61	18.00	25.38	55.74	46.65	28.82	29.49	20.66	
L 90 x 60 x 6	7.02	90	60	6	11 / 2 *	8.77	13.82	28.38	62.06	44.34	23.92	31.83	15.48	
L 90 x 60 x 8	9.19	90	60	8	11 / 2 *	11.49	14.68	29.34	61.52	44.86	25.08	31.48	16.09	

* Profiles are also available laser welded with full penetration, equivalent to hot rolled (r = laser seam).
* Profile sind auch Lasergeschweisst mit Vollenbindung erhältlich, gleichwertig zu warm gewalzt (r = Laser Naht).
* Profiles disponibles aussi soudé laser avec pénétration complète, équivalent au laminé à chaud (r = cordon laser).



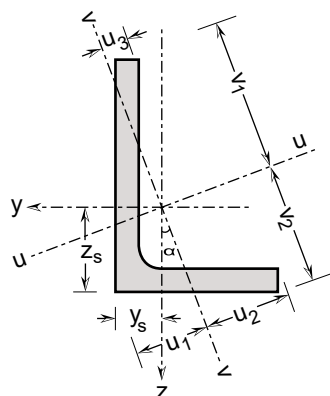
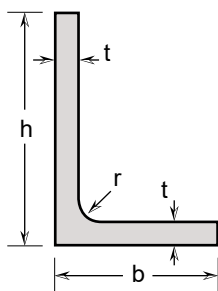
ANGOLARE LATI DISUGUALI

Dimensions: in accordance with EN 10056-1: 1998
Tolerances: EN 10056-2:1993

Proprietà Generali														
Designation Bezeichnung Désignation		Dimensions Abmessungen Dimensions					Position of axes Lage der Achsen Position des axes							
	G kg/m	h mm	b mm	t mm	r mm	A mm ² x10 ²	ys mm	zs mm	v ₁ mm	v ₂ mm	u ₁ mm	u ₂ mm	u ₃ mm	
L 100 x 50 x 6	7.04	100	50	6	12 / 2 *	8.79	10.29	34.41	66.10	43.16	18.47	30.16	10.75	
L 100 x 50 x 8	9.21	100	50	8	12 / 2 *	11.51	11.16	35.49	65.28	43.96	19.55	29.59	11.53	
L 100 x 50 x 10	11.32	100	50	10	12 / 2 *	14.15	11.97	36.43	64.58	44.58	20.47	29.18	12.26	
L 100 x 65 x 6	7.76	100	65	6	12 / 2 *	9.69	14.55	31.49	68.90	48.30	25.43	35.15	16.28	
L 100 x 65 x 7	8.97	100	65	7	12 / 2 *	11.21	15.01	32.03	68.58	48.63	26.06	34.89	16.61	
L 100 x 65 x 8	10.17	100	65	8	12 / 2 *	12.71	15.44	32.51	68.29	48.90	26.63	34.70	16.92	
L 100 x 65 x 9	11.36	100	65	9	12 / 2 *	14.19	15.86	32.98	68.03	49.14	27.17	34.56	17.23	
L 100 x 65 x 10	12.52	100	65	10	12 / 2 *	15.65	16.26	33.42	67.79	49.36	27.68	34.45	17.54	
L 100 x 75 x 6	8.24	100	75	6	12 / 2 *	10.29	17.71	29.83	70.10	53.58	29.81	36.81	21.10	
L 100 x 75 x 7	9.53	100	75	7	12 / 2 *	11.91	18.17	30.35	69.86	53.82	30.47	36.61	21.35	
L 100 x 75 x 8	10.81	100	75	8	12 / 2 *	13.51	18.61	30.83	69.66	54.03	31.08	36.48	21.60	
L 100 x 75 x 9	12.08	100	75	9	12 / 2 *	15.09	19.03	31.28	69.47	54.20	31.66	36.40	21.86	
L 100 x 75 x 10	13.32	100	75	10	12 / 2 *	16.65	19.44	31.71	69.30	54.36	32.21	36.36	22.11	
L 120 x 80 x 6	9.46	120	80	6	13 / 2 *	11.82	17.61	37.00	83.17	58.73	30.86	42.90	20.25	
L 120 x 80 x 8	12.43	120	80	8	13 / 2 *	15.54	18.54	38.07	82.54	59.38	32.15	42.38	20.88	
L 120 x 80 x 10	15.35	120	80	10	13 / 2 *	19.18	19.38	39.00	82.04	59.86	33.27	42.08	21.49	
L 130 x 65 x 6	9.24	130	65	6	14 / 2 *	11.55	12.62	43.94	86.50	55.56	23.13	39.80	13.43	
L 130 x 65 x 8	12.14	130	65	8	14 / 2 *	15.17	13.54	45.14	85.56	56.53	24.35	39.07	14.25	
L 130 x 65 x 10	14.97	130	65	10	14 / 2 *	18.71	14.39	46.16	84.79	57.26	25.38	38.56	15.00	
L 130 x 75 x 6	9.72	130	75	6	14 / 2 *	12.15	15.37	41.92	88.46	58.50	27.74	43.52	16.88	
L 130 x 75 x 8	12.78	130	75	8	14 / 2 *	15.97	16.30	43.08	87.64	59.36	29.03	42.83	17.63	
L 130 x 75 x 10	15.77	130	75	10	14 / 2 *	19.71	17.16	44.07	86.97	60.00	30.12	42.39	18.33	
L 130 x 90 x 10	16.97	130	90	10	14 / 2 *	21.21	21.70	41.31	89.56	66.29	37.12	46.38	24.55	
L 130 x 90 x 12	20.14	130	90	12	14 / 2 *	25.17	22.52	42.19	89.13	66.68	38.19	46.20	25.13	
L 140 x 90 x 8	14.40	140	90	8	15 / 2 *	18.00	20.02	44.34	96.18	67.37	35.19	48.96	22.49	
L 140 x 90 x 10	17.79	140	90	10	15 / 2 *	22.24	20.90	45.35	95.57	67.97	36.39	48.53	23.14	

* Profiles are also available laser welded with full penetration, equivalent to hot rolled (r = laser seam).
* Profile sind auch Lasergeschweisst mit Vollenbindung erhältlich, gleichwertig zu warm gewalzt (r = Laser Naht).
* Profiles disponibles aussi soudé laser avec pénétration complète, équivalent au laminé à chaud (r = cordon laser).

L



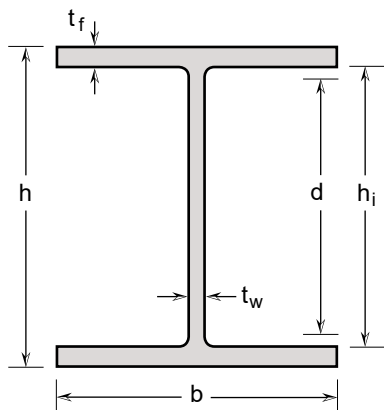
ANGOLARE LATI DISUGUALI

Dimensions: in accordance with EN 10056-1: 1998
Tolerances: EN 10056-2:1993

Proprietà Generali													
Designation Bezeichnung Désignation		Dimensions Abmessungen Dimensions					Position of axes Lage der Achsen Position des axes						
	G kg/m	h mm	b mm	t mm	r mm	A mm ² x10 ²	y _s mm	z _s mm	v ₁ mm	v ₂ mm	u ₁ mm	u ₂ mm	u ₃ mm
L 140 x 90 x 12	21.12	140	90	12	15 / 2 *	26.40	21.73	46.27	95.05	68.44	37.45	48.24	23.76
L 150 x 75 x 8	14.11	150	75	8	16 / 2 *	17.63	15.08	51.41	99.24	64.72	27.41	45.48	15.97
L 150 x 75 x 10	17.42	150	75	10	16 / 2 *	21.77	15.96	52.51	98.39	65.56	28.53	44.86	16.75
L 150 x 90 x 10	18.62	150	90	10	16 / 2 *	23.27	20.16	49.45	101.48	70.02	35.58	50.33	21.95
L 150 x 90 x 11	20.37	150	90	11	16 / 2 *	25.46	20.59	49.94	101.17	70.32	36.13	50.13	22.28
L 150 x 90 x 12	22.11	150	90	12	16 / 2 *	27.63	21.00	50.41	100.88	70.58	36.66	49.96	22.62
L 150 x 100 x 8	15.74	150	100	8	17 / 2 *	19.67	22.20	46.41	103.90	73.45	38.78	53.53	25.37
L 150 x 100 x 10	19.45	150	100	10	17 / 2 *	24.31	23.12	47.48	103.27	74.11	40.08	52.99	25.99
L 150 x 100 x 12	23.10	150	100	12	17 / 2 *	28.87	23.98	48.45	102.74	74.62	41.23	52.65	26.60
L 160 x 100 x 8	15.10	160	100	8	17 / 2 *	18.87	15.84	54.53	106.10	68.78	28.92	48.71	16.82
L 160 x 100 x 10	18.65	160	100	10	17 / 2 *	23.31	16.74	55.68	105.21	69.68	30.08	48.03	17.62
L 160 x 100 x 12	22.14	160	100	12	17 / 2 *	27.67	17.59	56.69	104.44	70.41	31.11	47.53	18.38
L 180 x 90 x 8	17.05	180	90	8	18 / 2 *	21.31	17.41	60.95	119.63	77.14	32.08	55.10	18.65
L 180 x 90 x 10	21.08	180	90	10	18 / 2 *	26.35	18.33	62.15	118.69	78.11	33.31	54.36	19.47
L 180 x 90 x 12	25.05	180	90	12	18 / 2 *	31.31	19.20	63.20	117.89	78.88	34.37	53.81	20.24
L 200 x 100 x 8	19.03	200	100	8	20 / 2 *	23.79	18.91	67.11	133.42	85.18	35.02	61.64	20.34
L 200 x 100 x 10	23.54	200	100	10	20 / 2 *	29.43	19.87	68.41	132.37	86.29	36.36	60.78	21.18
L 200 x 100 x 12	27.99	200	100	12	20 / 2 *	34.99	20.76	69.53	131.51	87.15	37.50	60.14	21.98
L 200 x 100 x 15	34.54	200	100	15	20 / 2 *	43.18	22.03	71.03	130.39	88.20	39.01	59.41	23.11
L 200 x 100 x 16	36.70	200	100	16	20 / 2 *	45.87	22.44	71.50	130.05	88.51	39.47	59.20	23.47
L 200x150x12	32.79	200	150	12	20 / 2 *	40.99	35.76	60.23	139.75	107.72	60.30	73.43	42.75
L 200x150x15	40.54	200	150	15	20 / 2 *	50.68	37.05	61.63	139.17	108.29	62.10	73.11	43.52

* Profiles are also available laser welded with full penetration, equivalent to hot rolled (r = laser seam).
* Profile sind auch Lasergeschweisst mit Vollenbindung erhältlich, gleichwertig zu warm gewalzt (r = Laser Naht).
* Profiles disponibles aussi soudé laser avec pénétration complète, équivalent au laminé à chaud (r = cordon laser).

HE



European wide flange beams

Dimensions: HE A, B, M in accordance with EN 10365
Tolerances: EN 10034: 1993

Europäische Breitflanschträger

Abmessungen: HE A, B, M gemäß EN 10365
Toleranzen: EN 10034: 1993

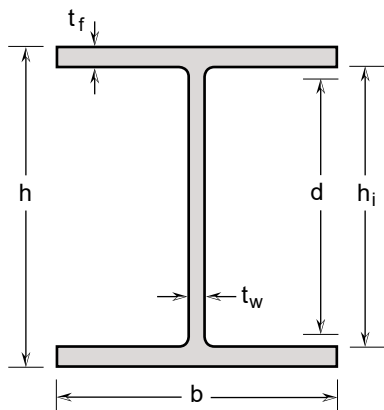
Poutrelles européennes à large ailes

Dimensions: HE A, B, M conformes à la norme EN 10365
Tolérances: EN 10034: 1993

General properties / Generelle Eigenschaften / Valeurs generaux

Designation Bezeichnung Désignation		Dimensions Abmessungen Dimensions					Dimensions for detailing Konstruktionsmaße Dimensions de construction	
	G kg/m	h mm	b mm	t _w mm	t _f mm	A mm ² x10 ²	h _i mm	d* mm
HE 100 AA	11.5	91	100	4.2	5.5	14.39	80.0	76.0
HE 100 A	16.0	96	100	5.0	8.0	20.03	80.0	76.0
HE 100 B	19.9	100	100	6.0	10.0	24.83	80.0	76.0
HE 100 C	30.5	110	103	9.0	15.0	38.13	80.0	76.0
HE 100 M	41.6	120	106	12.0	20.0	52.03	80.0	76.0
HE 120 AA	13.9	109	120	4.2	5.5	17.35	98.0	94.0
HE 120 A	19.3	114	120	5.0	8.0	24.13	98.0	94.0
HE 120 B	26.2	120	120	6.5	11.0	32.80	98.0	94.0
HE 120 C	39.0	130	123	9.5	16.0	48.70	98.0	94.0
HE 120 M	52.2	140	126	12.5	21.0	65.20	98.0	94.0
HE 140 AA	17.5	128	140	4.3	6.0	21.82	116.0	112.0
HE 140 A	24.2	133	140	5.5	8.5	30.21	116.0	112.0
HE 140 B	33.4	140	140	7.0	12.0	41.75	116.0	112.0
HE 140 C	48.2	150	143	10.0	17.0	60.25	116.0	112.0
HE 140 M	63.5	160	146	13.0	22.0	79.35	116.0	112.0
HE 160 AA	22.8	148	160	4.5	7.0	28.46	134.0	130.0
HE 160 A	29.5	152	160	6.0	9.0	36.87	134.0	130.0
HE 160 B	41.9	160	160	8.0	13.0	52.35	134.0	130.0
HE 160 C	58.8	170	163	11.0	18.0	73.45	134.0	130.0
HE 160 M	76.1	180	166	14.0	23.0	95.15	134.0	130.0
HE 180 AA	27.7	167	180	5.0	7.5	34.63	152.0	148.0
HE 180 A	34.7	171	180	6.0	9.5	43.35	152.0	148.0
HE 180 B	50.7	180	180	8.5	14.0	63.35	152.0	148.0
HE 180 C	69.6	190	183	11.5	19.0	87.05	152.0	148.0
HE 180 M	89.1	200	186	14.5	24.0	111.35	152.0	148.0

HE



European wide flange beams

Dimensions: HE A, B, M in accordance with EN 10365
Tolerances: EN 10034: 1993

Europäische Breitflanschträger

Abmessungen: HE A, B, M gemäß EN 10365
Toleranzen: EN 10034: 1993

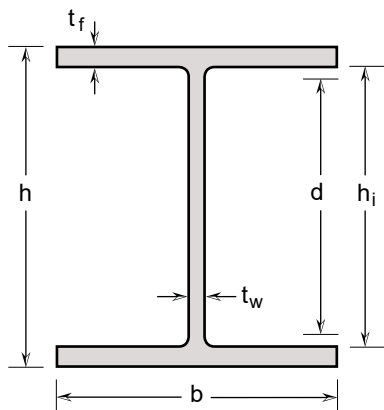
Poutrelles européennes à large ailes

Dimensions: HE A, B, M conformes à la norme EN 10365
Tolérances: EN 10034: 1993

General properties / Generelle Eigenschaften / Valeurs généraux

Designation Bezeichnung Désignation		Dimensions Abmessungen Dimensions					Dimensions for detailing Konstruktionsmaße Dimensions de construction	
	G kg/m	h mm	b mm	t _w mm	t _f mm	A mm ² x10 ²	h _i mm	d* mm
HE 200 AA	33.1	186	200	5.5	8.0	41.38	170.0	166.0
HE 200 A	40.9	190	200	6.5	10.0	51.08	170.0	166.0
HE 200 B	60.3	200	200	9.0	15.0	75.33	170.0	166.0
HE 200 C	81.3	210	203	12.0	20.0	101.63	170.0	166.0
HE 200 M	102.8	220	206	15.0	25.0	128.53	170.0	166.0
HE 220 AA	39	205	220	6.0	8.5	48.71	188	184
HE 220 A	49.3	210	220	7.0	11.0	61.59	188	184
HE 220 B	70.6	220	220	9.5	16.0	88.29	188	184
HE 220 C	93.8	230	223	12.5	21.0	117.19	188.0	184.0
HE 220 M	117.4	240	226	15.5	26.0	146.69	188	184
HE 240 AA	45.3	224	240	6.5	9.0	56.62	206	202
HE 240 A	58.5	230	240	7.5	12.0	73.08	206	202
HE 240 B	81.8	240	240	10.0	17.0	102.23	206	202
HE 240 C	118.7	255	244	14.0	24.5	148.43	206.0	202.0
HE 240 M	159.7	270	248	18.0	32.0	199.59	206	164
HE 260 AA	51.2	244	260	6.5	9.5	64.06	225	221
HE 260 A	65.5	250	260	7.5	12.5	81.91	225	221
HE 260 B	90.8	260	260	10.0	17.5	113.53	225	221
HE 260 C	130.8	275	264	14.0	25.0	163.53	225.0	221.0
HE 260 M	171.8	290	268	18.0	32.5	214.73	225	221
HE 280 AA	58.5	264	280	7.0	10.0	73.11	244	240
HE 280 A	73.9	270	280	8.0	13.0	92.35	244	240
HE 280 B	101.2	280	280	10.5	18.0	126.45	244	240
HE 280 C	144.2	295	284	14.5	25.5	180.25	244.0	240.0
HE 280 M	188.2	310	288	18.5	33.0	235.25	244	240

HE



European wide flange beams

Dimensions: HE A, B, M in accordance with EN 10365
Tolerances: EN 10034: 1993

Europäische Breitflanschträger

Abmessungen: HE A, B, M gemäß EN 10365
Toleranzen: EN 10034: 1993

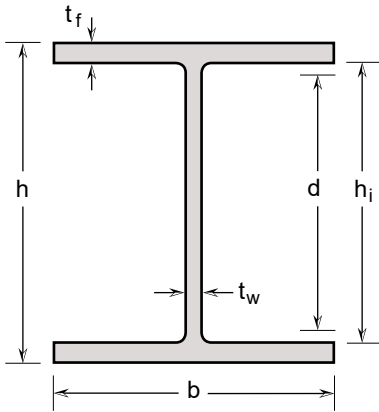
Poutrelles européennes à large ailes

Dimensions: HE A, B, M conformes à la norme EN 10365
Tolérances: EN 10034: 1993

General properties / Generelle Eigenschaften / Valeurs generaux

Designation Bezeichnung Désignation		Dimensions Abmessungen Dimensions					Dimensions for detailing Konstruktionsmaße Dimensions de construction	
	G kg/m	h mm	b mm	t _w mm	t _f mm	A mm ² x10 ²	h _i mm	d* mm
HE 300 AA	66.1	283	300	7.5	10.5	82.68	262	258
HE 300 A	85	290	300	8.5	14.0	106.3	262	258
HE 300 B	114.3	300	300	11.0	19.0	142.85	262	258
HE 300 C	175.1	320	305	16.0	29.0	218.85	262.0	258.0
HE 300 M	237.5	340	310	21.0	39.0	296.85	262	258
HE 320 AA	70.7	301	300	8.0	11.0	88.35	279	275
HE 320 A	94.5	310	300	9.0	15.5	118.14	279	275
HE 320 B	124.1	320	300	11.5	20.5	155.12	279	275
HE 320 C	184.6	340	305	16.0	30.5	230.72	279.0	275.0
HE 320 M	244.7	359	309	21.0	40.0	305.82	279	275
HE 340 AA	75.4	320	300	8.5	11.5	94.28	297.0	293.0
HE 340 A	101.8	330	300	9.5	16.5	127.25	297.0	293.0
HE 340 B	131.7	340	300	12.0	21.5	164.67	297.0	293.0
HE 340 M	247.7	377	309	21.0	40.0	309.60	297.0	293.0
HE 360 AA	80.3	339	300	9.0	12.0	100.38	315.0	311.0
HE 360 A	109.2	350	300	10.0	17.5	136.53	315	311
HE 360 B	139.5	360	300	12.5	22.5	174.41	315	311
HE 360 M	250.1	395	308	21.0	40.0	312.58	315.0	311.0
HE 400 AA	89.2	378	300	9.5	13.0	111.47	352.0	348.0
HE 400 A	122.2	390	300	11.0	19.0	152.75	352.0	348.0
HE 400 B	153.2	400	300	13.5	24.0	191.55	352.0	348.0
HE 400 M	255.6	432	307	21.0	40.0	319.55	352.0	348.0
HE 450 AA	96.7	425	300	10.0	13.5	120.83	398.0	394.0
HE 450 A	137.4	440	300	11.5	21.0	171.8	398	394

HE



European wide flange beams

Dimensions: HE A, B, M in accordance with EN 10365
Tolerances: EN 10034: 1993

Europäische Breitflanschräger

Abmessungen: HE A, B, M gemäß EN 10365
Toleranzen: EN 10034: 1993

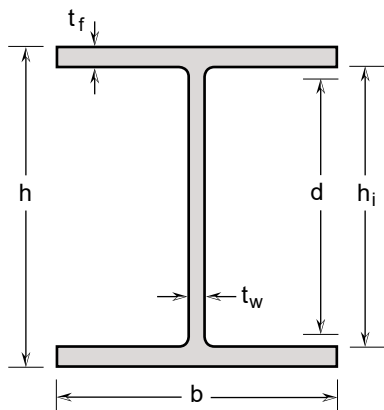
Poutrelles européennes à large ailes

Dimensions: HE A, B, M conformes à la norme EN 10365
Tolérances: EN 10034: 1993

General properties / Generelle Eigenschaften / Valeurs generaux

Designation Bezeichnung Désignation		Dimensions Abmessungen Dimensions					Dimensions for detailing Konstruktionsmaße Dimensions de construction	
	G kg/m	h mm	b mm	t _w mm	t _f mm	A mm ² x10 ²	h _i mm	d* mm
HE 450 B	169.4	450	300	14.0	26.0	211.75	398	394
HE 450 M	263.4	478	307	21.0	40.0	329.21	398.0	394.0
HE 500 AA	104.5	472	300	10.5	14.0	130.65	444.0	440.0
HE 500 A	153.1	490	300	12.0	23.0	191.31	444.0	440.0
HE 500 B	185.9	500	300	14.5	28.0	232.41	444.0	440.0
HE 500 M	270.5	524	306	21.0	40.0	338.07	444.0	440.0
HE 550 AA	117.3	522	300	11.5	15.0	146.61	492.0	488.0
HE 550 A	164.4	540	300	12.5	24.0	205.53	492	488
HE 550 B	198.3	550	300	15.0	29.0	247.83	492	488
HE 550 M	278.5	572	306	21.0	40.0	348.15	492.0	488.0
HE 600 AA	126.3	571	300	12.0	15.5	157.83	540.0	536.0
HE 600 A	176.2	590	300	13.0	25.0	220.23	540.0	536.0
HE 600 B	211.0	600	300	15.5	30.0	263.73	540.0	536.0
HE 600 M	285.9	620	305	21.0	40.0	357.43	540.0	536.0
HE 600 x 337	338.3	632	310	25.5	46.0	422.93	540.0	536.0
HE 600 x 399	401.8	648	315	30.0	54.0	502.23	540.0	536.0
HE 650 AA	135.6	620	300	12.5	16.0	169.53	588.0	584.0
HE 650 A	188.3	640	300	13.5	26.0	235.41	588.0	584.0
HE 650 B	224.1	650	300	16.0	31.0	280.11	588.0	584.0
HE 650 M	294.0	668	305	21.0	40.0	367.51	588.0	584.0
HE 650 x 343	347.4	680	309	25.5	46.0	434.25	588.0	584.0
HE 650 x 407	412.4	696	314	30.0	54.0	515.55	588.0	584.0
HE 700 AA	147.8	670	300	13.0	17.0	184.71	636.0	632.0
HE 700 A	203.4	690	300	14.5	27.0	254.25	636.0	632.0

HE



European wide flange beams

Dimensions: HE A, B, M in accordance with EN 10365
Tolerances: EN 10034: 1993

Europäische Breitflanschräger

Abmessungen: HE A, B, M gemäß EN 10365
Toleranzen: EN 10034: 1993

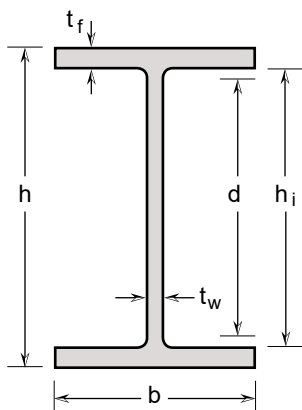
Poutrelles européennes à large ailes

Dimensions: HE A, B, M conformes à la norme EN 10365
Tolérances: EN 10034: 1993

General properties / Generelle Eigenschaften / Valeurs generaux

Designation Bezeichnung Désignation		Dimensions Abmessungen Dimensions					Dimensions for detailing Konstruktionsmaße Dimensions de construction	
	G kg/m	h mm	b mm	t _w mm	t _f mm	A mm ² x10 ²	h _i mm	d* mm
HE 700 B	240.1	700	300	17.0	32.0	300.15	636.0	632.0
HE 700 M	301.4	716	304	21.0	40.0	376.79	636.0	632.0
HE 700 x 352	353.9	728	308	25.0	46.0	442.39	636.0	632.0
HE 700 x 418	420.6	744	313	29.5	54.0	525.69	636.0	632.0
HE 800 AA	168.6	770	300	14.0	18.0	210.79	734.0	730.0
HE 800 A	222.5	790	300	15.0	28.0	278.13	734.0	730.0
HE 800 B	261.2	800	300	17.5	33.0	326.48	734.0	730.0
HE 800 M	317.3	814	303	21.0	40.0	396.57	734.0	730.0
HE 800 x 373	373.5	826	308	25.0	46.0	466.89	734.0	730.0
HE 800 x 444	446.6	842	313	30.0	54.0	558.27	734.0	730.0
HE 900 AA	195.6	870	300	15.0	20.0	244.53	830.0	826.0
HE 900 A	250.3	890	300	16.0	30.0	312.83	830.0	826.0
HE 900 B	290.9	900	300	18.5	35.0	363.58	830.0	826.0
HE 900 M	332.7	910	302	21.0	40.0	415.93	830.0	826.0
HE 900 x 391	392.0	922	307	25.0	46.0	489.97	830.0	826.0
HE 900 x 466	468.8	938	312	30.0	54.0	585.99	830.0	826.0
HE 1000 AA	219.6	970	300	16.0	21.0	274.51	928.0	924.0
HE 1000 x 249	247.3	980	300	16.5	26.0	309.15	928.0	924.0
HE 1000 A	271.3	990	300	16.5	31.0	339.15	928.0	924.0
HE 1000 B	313.9	1000	300	19.0	36.0	392.35	928.0	924.0
HE 1000 M	349.2	1008	302	21.0	40.0	436.51	928.0	924.0
HE 1000 x 393	394.0	1016	303	24.4	43.9	492.55	928.2	924.2
HE 1000 x 415	416.8	1020	304	26.0	46.0	520.99	928.0	924.0
HE 1000 x 438	438.9	1026	305	26.9	49.0	548.57	928.0	924.0
HE 1000 x 494	497.1	1036	309	31.0	54.0	621.43	928.0	924.0
HE 1000 x 584	588.8	1056	314	36.0	64.0	736.03	928.0	924.0

IPE



European I beams

Dimensions: IPE in accordance with EN 10365
IPE AAAA - AAA according to Montanstahl mill standard
Tolerances: EN 10034: 1993

Europäische I-Profile

Abmessungen: IPE gemäß EN 10365
AAAA - AAA gemäß Montanstahl Werksstandard
Toleranzen: EN 10034: 1993

Poutrelles I européennes

Dimensions: IPE conformes à la norme EN 10365
AAAA - AAA suivant standard usine Montanstahl
Tolérances: EN 10034: 1993

General properties / Generelle Eigenschaften / Valeurs generaux

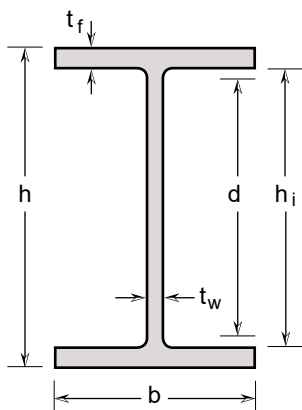
Designation Bezeichnung Désignation	G kg/m	Dimensions Abmessungen Dimensions					Dimensions for detailing Konstruktionsmaße Dimensions de construction	
		h mm	b mm	t _w mm	t _f mm	A mm ² x10 ²	h _i mm	d* mm
IPE AAAA 80	3.9	76	46	2.9	3.1	4.91	69.8	65.8
IPE AAA 80	4.7	78	46	3.0	4.0	5.81	70.0	66.0
IPE AA 80	4.9	78	46	3.2	4.2	6.13	69.6	65.6
IPE A 80	5.0	78	46	3.3	4.2	6.20	69.6	65.6
IPE 80	6.0	80	46	3.8	5.2	7.46	69.6	65.6
IPE AAAA 100	5.3	96	55	2.9	3.6	6.57	88.8	84.8
IPE AAA 100	6.5	97	55	3.6	4.5	8.15	88.0	84.0
IPE AA 100	6.5	97.6	55	3.6	4.5	8.17	88.6	84.6
IPE A 100	6.7	98	55	3.6	4.7	8.39	88.6	84.6
IPE 100	7.9	100	55	4.1	5.7	9.94	88.6	84.6
IPE AAAA 120	6.6	115	64	3.0	3.9	8.24	107.2	103.2
IPE AAA 120	7.8	117	64	3.5	4.6	9.70	107.8	103.8
IPE AA 120	8.2	117	64	3.8	4.8	10.26	107.4	103.4
IPE A 120	8.5	117.6	64	3.8	5.1	10.64	107.4	103.4
IPE 120	10.3	120	64	4.4	6.3	12.82	107.4	103.4
IPE AAAA 140	8.1	134	73	3.3	4.1	10.17	125.8	121.8
IPE AAA 140	9.4	136	73	3.5	5.0	11.74	126.0	122.0
IPE AA 140	9.9	136.6	73	3.8	5.2	12.42	126.2	122.2
IPE A 140	10.4	137.4	73	3.8	5.6	13.01	126.2	122.2
IPE 140	12.8	140	73	4.7	6.9	16.04	126.2	122.2
IPE AAAA 160	9.9	154	82	3.6	4.3	12.32	145.4	141.4
IPE AAA 160	11.4	156	82	3.7	5.4	14.26	145.2	141.2
IPE AA 160	12.0	156.4	82	4.0	5.6	15.03	145.2	141.2
IPE A 160	12.4	157	82	4.0	5.9	15.52	145.2	141.2
IPE 160	15.5	160	82	5.0	7.4	19.43	145.2	141.2

* This dimension is related to the internal radius, achieved by the various producer. At Montanstahl beams are produced with radius of ≤2mm.

* Dieses Mass resultiert aus dem erzeugtem Innenradius des jeweiligen Herstellers. Bei Montanstahl werden Träger mit Innenradius von ≤2mm hergestellt.

* Cette mesure résulte par le rayon interne obtenue par les divers producteurs. Chez Montanstahl pour les poutrelles ce rayon est de ≤2mm.

IPE



European I beams

Dimensions: IPE in accordance with EN 10365
IPE AAAA - AAA according to Montanstahl mill standard
Tolerances: EN 10034: 1993

Europäische I-Profile

Abmessungen: IPE gemäß EN 10365
AAAA - AAA gemäß Montanstahl Werksstandard
Toleranzen: EN 10034: 1993

Poutrelles I européennes

Dimensions: IPE conformes à la norme EN 10365
AAAA - AAA suivant standard usine Montanstahl
Tolérances: EN 10034: 1993

General properties / Generelle Eigenschaften / Valeurs generaux

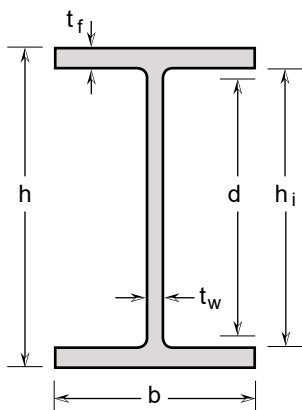
Designation Bezeichnung Désignation	G kg/m	Dimensions Abmessungen Dimensions					Dimensions for detailing Konstruktionsmaße Dimensions de construction	
		h mm	b mm	t _w mm	t _f mm	A mm ² x10 ²	h _i mm	d* mm
IPE AAAA 180	12.3	174	91	3.9	4.9	15.36	164.2	160.2
IPE AAA 180	13.9	176	91	3.9	6.0	17.35	164.0	160.0
IPE AA 180	14.7	176.4	91	4.3	6.2	18.37	164.0	160.0
IPE A 180	15.1	177	91	4.3	6.5	18.92	164.0	160.0
IPE 180	18.6	180	91	5.3	8.0	23.29	164.0	160.0
IPE O 180	21.1	182	92	6.0	9.0	26.43	164.0	160.0
IPE AAAA 200	14.3	193	100	4.1	5.2	17.92	182.6	178.6
IPE AAA 200	16.4	196	100	4.1	6.5	20.54	183.0	179.0
IPE AA 200	17.3	196.4	100	4.5	6.7	21.67	183.0	179.0
IPE A 200	17.8	197	100	4.5	7.0	22.27	183.0	179.0
IPE 200	21.8	200	100	5.6	8.5	27.28	183.0	179.0
IPE O 200	24.6	202	102	6.2	9.5	30.76	183.0	179.0
IPE AA 220	20.6	216.4	110	4.7	7.4	25.79	201.6	197.6
IPE A 220	21.6	217	110	5.0	7.7	27.05	201.6	197.6
IPE 220	25.7	220	110	5.9	9.2	32.17	201.6	197.6
IPE O 220	29.0	222	112	6.6	10.2	36.19	201.6	197.6
IPE AA 240	23.9	236.4	120	4.8	8.0	29.81	220.4	216.4
IPE A 240	25.1	237	120	5.2	8.3	31.42	220.4	216.4
IPE 240	29.8	240	120	6.2	9.8	37.22	220.4	216.4
IPE O 240	33.5	242	122	7.0	10.8	41.81	220.4	216.4
IPE A 270	29.8	267	135	5.5	8.7	37.25	249.6	245.6
IPE 270	35.2	270	135	6.6	10.2	44.05	249.6	245.6
IPE O 270	41.6	274	136	7.5	12.2	51.94	249.6	245.6
IPE A 300	35.7	297	150	6.1	9.2	44.63	278.6	274.6
IPE 300	41.5	300	150	7.1	10.7	51.91	278.6	274.6

* This dimension is related to the internal radius, achieved by the various producer. At Montanstahl beams are produced with radius of ≤2mm.

* Dieses Mass resultiert aus dem erzeugtem Innenradius des jeweiligen Herstellers. Bei Montanstahl werden Träger mit Innenradius von ≤2mm hergestellt.

* Cette mesure résulte par le rayon interne obtenue par les divers producteurs. Chez Montanstahl pour les poutrelles ce rayon est de ≤2mm.

IPE



European I beams

Dimensions: IPE in accordance with EN 10365
IPE AAAA - AAA according to Montanstahl mill standard
Tolerances: EN 10034: 1993

Europäische I-Profile

Abmessungen: IPE gemäß EN 10365
AAAA - AAA gemäß Montanstahl Werksstandard
Toleranzen: EN 10034: 1993

Poutrelles I européennes

Dimensions: IPE conformes à la norme EN 10365
AAAA - AAA suivant standard usine Montanstahl
Tolérances: EN 10034: 1993

General properties / Generelle Eigenschaften / Valeurs generaux

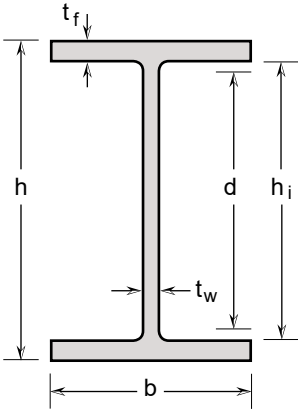
Designation Bezeichnung Désignation	G kg/m	Dimensions Abmessungen Dimensions					Dimensions for detailing Konstruktionsmaße Dimensions de construction	
		h mm	b mm	t _w mm	t _f mm	A mm ² x10 ²	h _i mm	d* mm
IPE O 300	48.7	304	152	8.0	12.7	60.93	278.6	274.6
IPE A 330	41.6	327	160	6.5	10.0	51.99	307.0	303.0
IPE 330	47.9	330	160	7.5	11.5	59.86	307.0	303.0
IPE O 330	55.9	334	162	8.5	13.5	69.87	307.0	303.0
IPE A 360	49.0	357.6	170	6.6	11.5	61.22	334.6	330.6
IPE 360	56.0	360	170	8.0	12.7	69.98	334.6	330.6
IPE O 360	65.1	364	172	9.2	14.7	81.39	334.6	330.6
IPE A 400	55.5	397	180	7.0	12.0	69.34	373.0	369.0
IPE 400	64.6	400	180	8.6	13.5	80.71	373.0	369.0
IPE O 400	74.1	404	182	9.7	15.5	92.64	373.0	369.0
IPE V 400	82.6	408	182	10.6	17.5	103.27	373.0	369.0
IPE A 450	65.4	447	190	7.6	13.1	81.80	420.8	416.8
IPE 450	76.1	450	190	9.4	14.6	95.07	420.8	416.8
IPE O 450	91.1	456	192	11.0	17.6	113.91	420.8	416.8
IPE V 450	102.6	460	194	12.4	19.6	128.26	420.8	416.8
IPE A 500	77.9	497	200	8.4	14.5	97.35	468.0	464.0
IPE 500	89.4	500	200	10.2	16.0	111.77	468.0	464.0
IPE O 500	106.4	506	202	12.0	19.0	132.95	468.0	464.0
IPE V 500	128.3	514	204	14.2	23.0	160.33	468.0	464.0
IPE A 550	89.9	547	210	9.0	15.7	112.38	515.6	511.6
IPE 550	103.6	550	210	11.1	17.2	129.51	515.6	511.6
IPE O 550	120.9	556	212	12.7	20.2	151.16	515.6	511.6
IPE V 550	157.7	566	216	17.1	25.2	197.07	515.6	511.6

* This dimension is related to the internal radius, achieved by the various producer. At Montanstahl beams are produced with radius of ≤2mm.

* Dieses Mass resultiert aus dem erzeugtem Innenradius des jeweiligen Herstellers. Bei Montanstahl werden Träger mit Innenradius von ≤2mm hergestellt.

* Cette mesure résulte par le rayon interne obtenue par les divers producteurs. Chez Montanstahl pour les poutrelles ce rayon est de ≤2mm.

IPE



European I beams

Dimensions: IPE in accordance with EN 10365
IPE AAAA - AAA according to Montanstahl mill standard
Tolerances: EN 10034: 1993

Europäische I-Profile

Abmessungen: IPE gemäß EN 10365
AAAA - AAA gemäß Montanstahl Werksstandard
Toleranzen: EN 10034: 1993

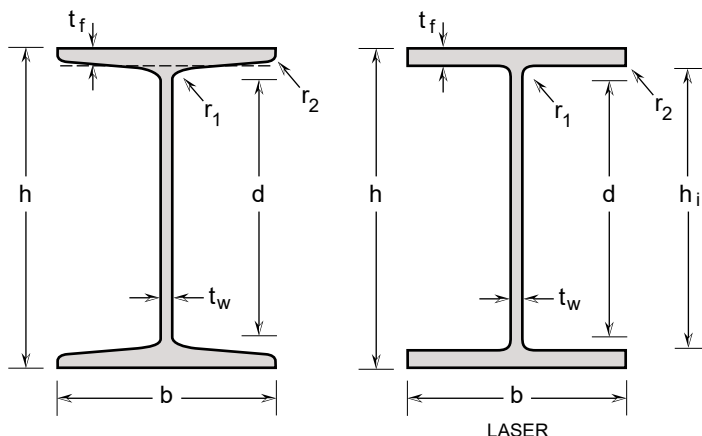
Poutrelles I européennes

Dimensions: IPE conformes à la norme EN 10365
AAAA - AAA suivant standard usine Montanstahl
Tolérances: EN 10034: 1993

General properties / Generelle Eigenschaften / Valeurs generaux								
Designation Bezeichnung Désignation		Dimensions Abmessungen Dimensions					Dimensions for detailing Konstruktionsmaße Dimensions de construction	
	G kg/m	h mm	b mm	t _w mm	t _f mm	A mm ² x10 ²	h _i mm	d* mm
IPE A 600	105.7	597	220	9.8	17.5	132.11	562.0	558.0
IPE 600	120.9	600	220	12.0	19.0	151.07	562.0	558.0
IPE O 600	153.5	610	224	15.0	24.0	191.85	562.0	558.0
IPE V 600	183.1	618	228	18.0	28.0	228.87	562.0	558.0
IPE 750 x 134	134.5	750	264	12.0	15.5	168.15	719.0	715.0
IPE 750 x 147	148.0	753	265	13.2	17.0	185.04	719.0	715.0
IPE 750 x 173	175.1	762	267	14.4	21.6	218.89	718.8	714.8
IPE 750 x 196	198.7	770	268	15.6	25.4	248.37	719.2	715.2

* This dimension is related to the internal radius, achieved by the various producer. At Montanstahl beams are produced with radius of ≤2mm.
* Dieses Mass resultiert aus dem erzeugtem Innenradius des jeweiligen Herstellers. Bei Montanstahl werden Träger mit Innenradius von ≤2mm hergestellt.
* Cette mesure résulte par le rayon interne obtenue par les divers producteurs. Chez Montanstahl pour les poutrelles ce rayon est de ≤2mm.

IPN



European standard beams

Dimensions: in accordance with EN 10365
Tolerances: EN 10024: 1995

Europäische Normalträger

Abmessungen: gemäß EN 10365
Toleranzen: EN 10024: 1995

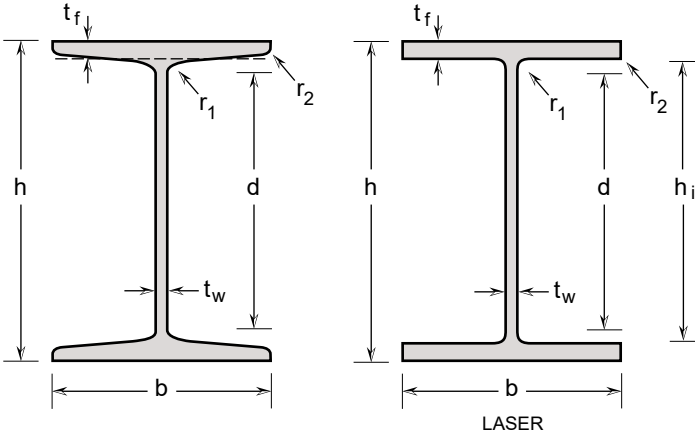
Poutrelles normales européens

Dimensions: conformes à la norme EN 10365
Tolérances: EN 10024: 1995

General properties / Generelle Eigenschaften / Valeurs généraux

Designation Bezeichnung Désignation		Dimensions Abmessungen Dimensions							Dimensions for detailing Konstruktionsmaße Dimensions de construction	
	G kg/m	h mm	b mm	t _w mm	t _f mm	r ₁ mm	r ₂ mm	A mm ² x10 ²	h _i mm	d mm
IPN 80	6.1	80	42	3.9	5.9	3.9	2.3	7.57	-	59
IPN 80*	6.1	80	42	3.9	5.9	2	< 1	7.65	68.2	64.2
IPN 100	8.48	100	50	4.5	6.8	4.5	2.7	10.6	-	75.7
IPN 100*	8.6	100	50	4.5	6.8	2	< 1	10.72	86.4	82.4
IPN 120	11.36	120	58	5.1	7.7	5.1	3.1	14.2	-	92.4
IPN 120*	11.4	120	58	5.1	7.7	2	< 1	14.3	104.6	100.6
IPN 140	14.56	140	66	5.7	8.6	5.7	3.4	18.2	-	109.1
IPN 140*	14.7	140	66	5.7	8.6	2	< 1	18.39	122.8	118.8
IPN 160	18.24	160	74	6.3	9.5	6.3	3.8	22.8	-	125.8
IPN 160*	18.4	160	74	6.3	9.5	2	< 1	22.98	141	137
IPN 180	22.32	180	82	6.9	10.4	6.9	4.1	27.9	-	142.5
IPN 180*	22.5	180	82	6.9	10.4	2	< 1	28.08	159.2	155.2
IPN 200	26.72	200	90	7.5	11.3	7.5	4.5	33.4	-	159.1
IPN 200*	26.9	200	90	7.5	11.3	2	< 1	33.68	177.4	173.4
IPN 220*	31.8	220	98	8.1	12.2	2	< 1	39.79	195.6	191.6
IPN 240*	37.1	240	106	8.7	13.1	2	< 1	46.41	213.8	209.8
IPN 260*	43	260	113	9.4	14.1	2	< 1	53.69	231.8	227.8
IPN 280*	49.1	280	119	10.1	15.2	2	< 1	61.42	249.6	245.6
IPN 300*	55.5	300	125	10.8	16.2	2	< 1	69.44	267.6	263.6
IPN 320*	62.5	320	131	11.5	17.3	2	< 1	78.18	285.4	281.4
IPN 340*	69.8	340	137	12.2	18.3	2	< 1	87.19	303.4	299.4
IPN 360*	78	360	143	13	19.5	2	< 1	97.53	321	317

Profiles are * also available or + only available as laser welded with full penetration, non tapered, equivalent to hot rolled (r = laser seam).
Profile sind * auch bzw. + nur Lasergeschweisst mit Vollenbindung erhältlich, ohne Konizität, gleichwertig zu warm gewalzt (r = Laser Naht).
Profils sont disponibles * aussi ou + seulement soudé laser avec pénétration complète, non conique, équivalent au laminé à chaud (r = cordon laser).



European standard beams

Dimensions: in accordance with EN 10365
Tolerances: EN 10024: 1995

Europäische Normalträger

Abmessungen: gemäß EN 10365
Toleranzen: EN 10024: 1995

Poutrelles normales européens

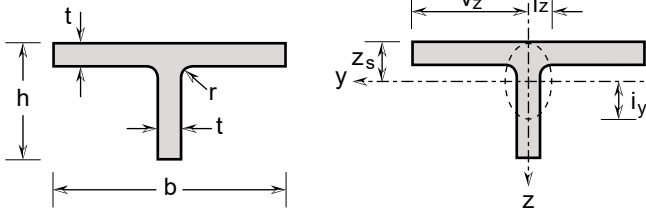
Dimensions: conformes à la norme EN 10365
Tolérances: EN 10024: 1995

General properties / Generelle Eigenschaften / Valeurs généraux

Designation Bezeichnung Désignation		Dimensions Abmessungen Dimensions							Dimensions for detailing Konstruktionsmaße Dimensions de construction	
	G kg/m	h mm	b mm	t _w mm	t _f mm	r ₁ mm	r ₂ mm	A mm ² x10 ²	h _i mm	d mm
IPN 380 ⁺	86.1	380	149	13.7	20.5	2	< 1	107.57	339	335
IPN 400 ⁺	94.7	400	155	14.4	21.6	2	< 1	118.37	356.8	352.8
IPN 450 ⁺	118.1	450	170	16.2	24.3	2	< 1	147.68	401.4	397.4
IPN 500 ⁺	144.2	500	185	18	27	2	< 1	180.21	446	442.0
IPN 550 ⁺	170.5	550	200	19	30	2	< 1	213.13	490	486
IPN 600 ⁺	204	600	215	21.6	32.4	2	< 1	254.96	535.2	531.2

* Profiles are laser welded with full penetration, equivalent to hot rolled (r = laser seam).
* Profile sind Laser geschweisst mit Vollenbindung, gleichwertig zu warm gewalzt (r = Laser Naht).
* Profiles sont soudé laser avec pénétration complète, équivalent au laminé à chaud (r = cordon laser).

T



T a flange disuguali Stainless steel

Dimensions and tolerance: in accordance with EN 10055
Grade according to EN 10088-3: 1D
Surface condition: blasted and pickled

Ungleichschenklige T-Profile Edelstahl Rostfrei

Abmessungen und Toleranzen: gemäß EN 10055
Güte nach EN 10088-3: 1D
Oberflächenbeschaffenheit: gestrahlt und gebeizt

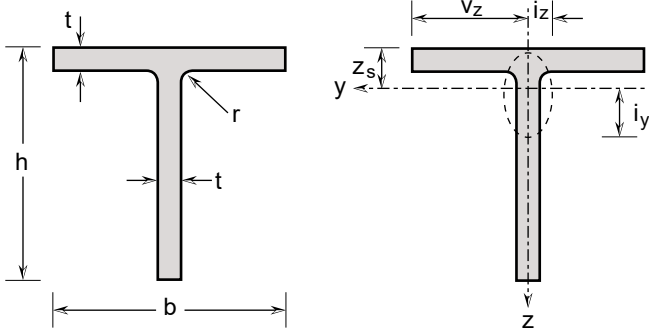
Fers T à ailes inégales Acier inoxydable

Dimensions et tolérances: conformes à la norme EN 10055
Nuance selon EN 10088-3: 1D
Etat de surface: sablé et décapé

General properties / Generelle Eigenschaften / Valeurs generaux							Structural properties / Statische Kennwerte / Valeurs statiques						
Designation Bezeichnung Désignation	G kg/m	Dimensions Abmessungen Dimensions					Position of axes y-y Lage der Achsen y-y Position des axes y-y	Axis y-y Achse y-y Axe y-y			Axis z-z Achse z-z Axe z-z		
		h mm	b mm	t mm	r* mm	A mm ² x10 ²	Z _s mm	I _y mm ⁴ x10 ⁴	W _{el,y} mm ³ x10 ³	i _y mm x10	I _z mm ⁴ x10 ⁴	W _{el,z} mm ³ x10 ³	i _z mm x10
TB 20	1.81	20	40	4	2	2.26	4.85	0.62	0.41	0.52	2.14	1.07	0.97
TB 25	2.81	25	50	5	2	3.52	6.07	1.50	0.79	0.65	5.23	2.09	1.22
TB 30	3.73	30	60	5.5	2	4.66	7.09	2.91	1.27	0.79	9.93	3.31	1.46
TB 35	4.77	35	70	6	2	5.96	8.12	5.11	1.9	0.93	17.20	4.92	1.70
TB 40	5.22	40	60	7	2	6.53	10.59	8.23	2.8	1.12	12.70	4.23	1.39
TB 50	9.64	50	100	8.5	2	12.04	11.58	21.16	5.51	1.33	71.05	14.21	2.43
TB 60	13.61	60	120	10	2	17.02	13.82	43.18	9.35	1.59	144.42	24.07	2.91

- * Profiles are laser welded with full penetration, equivalent to hot rolled (r = laser seam).
- * Profile sind Laser geschweisst mit Vollenbindung, gleichwertig zu warm gewalzt (r = Laser Naht).
- * Profiles sont soudé laser avec pénétration complète, équivalent au laminé à chaud (r = cordon laser).

T



T a flange uguali

Dimensions and tolerance: in accordance with EN 10055
Grade according to EN 10088-3: 1D
Surface condition: blasted and pickled

Gleichschenklige T-Profil Edelstahl Rostfrei

Abmessungen und Toleranzen: gemäß EN 10055
Güte nach EN 10088-3: 1D
Oberflächenbeschaffenheit: gestrahlt und gebeizt

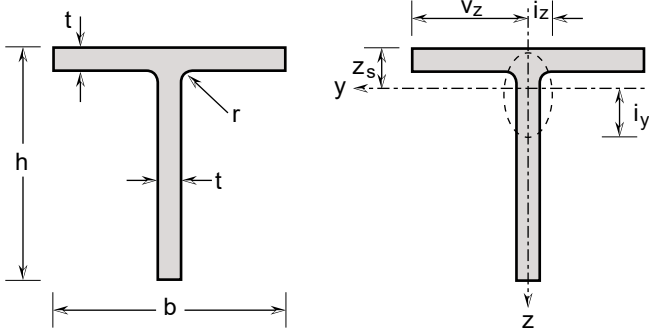
Fers T à ailes égales Acier inoxydable

Dimensions et tolérances: conformes à la norme EN 10055
Nuance selon EN 10088-3: 1D
Etat de surface: sablé et décapé

Designation Bezeichnung Désignation		Dimensions Abmessungen Dimensions				Structural properties / Statische Kennwerte / Valeurs statiques											
		h = b mm	t mm	r* mm	A mm ² x10 ²	Position of axes y-y Lage der Achsen y-y Position des axes y-y	Axis y-y Achse y-y Axe y-y			Axis z-z Achse z-z Axe z-z							
G kg/m	Z _s mm	I _y mm ⁴ x10 ⁴	W _{el,y} mm ³ x10 ³	i _y mm x10	I _z mm ⁴ x10 ⁴	W _{el,z} mm ³ x10 ³	i _z mm x10										
T 20 x 20 x 3	0.90	20	3	2	1.13	6.05	0.40	0.29	0.60	0.20	0.20	0.43					
T 20 x 20 x 4	1.17	20	4	2	1.46	6.42	0.50	0.37	0.59	0.28	0.28	0.43					
T 25 x 25 x 3	1.14	25	3	2	1.43	7.30	0.82	0.47	0.76	0.40	0.32	0.53					
T 25 x 25 x 3.5	1.32	25	3.5	2	1.64	7.49	0.93	0.53	0.75	0.46	0.37	0.53					
T 25 x 25 x 4	1.49	25	4	2	1.86	7.68	1.04	0.60	0.75	0.53	0.43	0.54					
T 30 x 30 x 3	1.38	30	3	2	1.73	8.55	1.46	0.68	0.92	0.68	0.45	0.63					
T 30 x 30 x 4	1.81	30	4	2	2.26	8.93	1.86	0.88	0.91	0.91	0.61	0.64					
T 30 x 30 x 5	2.21	30	5	2	2.77	9.29	2.22	1.07	0.90	1.15	0.77	0.65					
T 35 x 35 x 3	1.62	35	3	2	2.03	9.80	2.37	0.94	1.08	1.08	0.62	0.73					
T 35 x 35 x 4	2.13	35	4	2	2.66	10.18	3.03	1.22	1.07	1.45	0.83	0.74					
T 35 x 35 x 5	2.61	35	5	2	3.27	10.55	3.64	1.49	1.06	1.82	1.04	0.75					
T 40 x 40 x 3	1.86	40	3	2	2.33	11.05	3.59	1.24	1.24	1.61	0.80	0.83					
T 40 x 40 x 4	2.45	40	4	2	3.06	11.43	4.62	1.62	1.23	2.15	1.08	0.84					
T 40 x 40 x 5	3.01	40	5	2	3.77	11.80	5.57	1.97	1.22	2.70	1.35	0.85					
T 40 x 40 x 6	3.57	40	6	2	4.46	12.17	6.45	2.32	1.20	3.26	1.63	0.86					
T 45 x 45 x 3	2.10	45	3	2	2.63	12.30	5.18	1.58	1.40	2.29	1.02	0.93					
T 45 x 45 x 4	2.77	45	4	2	3.46	12.69	6.68	2.07	1.39	3.06	1.36	0.94					
T 45 x 45 x 5	3.41	45	5	2	4.27	13.06	8.08	2.53	1.38	3.84	1.71	0.95					
T 45 x 45 x 6	4.05	45	6	2	5.06	13.42	9.40	2.98	1.36	4.63	2.06	0.96					
T 50 x 50 x 3	2.34	50	3	2	2.93	13.55	7.17	1.97	1.56	3.14	1.25	1.04					
T 50 x 50 x 4	3.09	50	4	2	3.86	13.94	9.28	2.57	1.55	4.19	1.68	1.04					
T 50 x 50 x 5	3.81	50	5	2	4.77	14.31	11.26	3.16	1.54	5.26	2.10	1.05					
T 50 x 50 x 6	4.53	50	6	2	5.66	14.68	13.14	3.72	1.52	6.33	2.53	1.06					
T 50 x 50 x 7	5.22	50	7	2	6.53	15.04	14.91	4.26	1.51	7.42	2.97	1.07					

* Profiles are laser welded with full penetration, equivalent to hot rolled (r = laser seam).
* Profile sind Laser geschweisst Vollarbeitung, gleichwertig zu warm gewalzt (r = Laser Naht).
* Profiles sont soudé laser avec pénétration complète, équivalent au laminé à chaud (r = cordon laser).

T



T a flange uguali

Dimensions and tolerance: in accordance with EN 10055
Grade according to EN 10088-3: 1D
Surface condition: blasted and pickled

Gleichschenklige T-Profile Edelstahl Rostfrei

Abmessungen und Toleranzen: gemäß EN 10055
Güte nach EN 10088-3: 1D
Oberflächenbeschaffenheit: gestrahlt und gebeizt

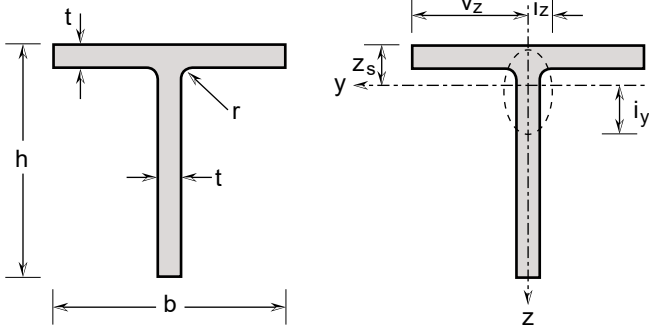
Fers T à ailes égales Acier inoxydable

Dimensions et tolérances: conformes à la norme EN 10055
Nuance selon EN 10088-3: 1D
Etat de surface: sablé et décapé

Designation Bezeichnung Désignation		Dimensions Abmessungen Dimensions				Structural properties / Statische Kennwerte / Valeurs statiques						
		h = b mm	t mm	r* mm	A mm ² x10 ²	Position of axes y-y Lage der Achsen y-y Position des axes y-y Z _s mm	Axis y-y Achse y-y Axe y-y			Axis z-z Achse z-z Axe z-z		
G kg/m	h = b mm	t mm	r* mm	A mm ² x10 ²	Z _s mm	I _y mm ⁴ x10 ⁴	W _{el,y} mm ³ x10 ³	i _y mm x10	I _z mm ⁴ x10 ⁴	W _{el,z} mm ³ x10 ³	i _z mm x10	
T 50 x 50 x 8	5.90	50	8	2	7.38	15.40	16.57	4.79	1.50	8.51	3.41	1.07
T 60 x 60 x 5	4.61	60	5	2	5.77	16.81	19.93	4.61	1.86	9.06	3.02	1.25
T 60 x 60 x 6	5.49	60	6	2	6.86	17.18	23.35	5.45	1.85	10.90	3.63	1.26
T 60 x 60 x 7	6.34	60	7	2	7.93	17.55	26.60	6.27	1.83	12.75	4.25	1.27
T 60 x 60 x 8	7.18	60	8	2	8.98	17.91	29.70	7.06	1.82	14.62	4.87	1.28
T 60 x 60 x 10	8.81	60	10	2	11.02	18.62	35.47	8.57	1.79	18.42	6.14	1.29
T 65 x 65 x 5	5.01	65	5	2	6.27	18.07	25.57	5.45	2.02	11.51	3.54	1.35
T 65 x 65 x 6	5.97	65	6	2	7.46	18.44	30.01	6.45	2.01	13.84	4.26	1.36
T 65 x 65 x 7	6.90	65	7	2	8.63	18.80	34.25	7.41	1.99	16.19	4.98	1.37
T 65 x 65 x 8	7.82	65	8	2	9.78	19.17	38.30	8.36	1.98	18.55	5.71	1.38
T 65 x 65 x 9	8.73	65	9	2	10.91	19.53	42.18	9.28	1.97	20.94	6.44	1.39
T 65 x 65 x 10	9.61	65	10	2	12.02	19.88	45.89	10.17	1.95	23.34	7.18	1.39
T 70 x 70 x 5	5.41	70	5	2	6.77	19.32	32.19	6.35	2.18	14.36	4.10	1.46
T 70 x 70 x 6	6.45	70	6	2	8.06	19.69	37.84	7.52	2.17	17.27	4.93	1.46
T 70 x 70 x 7	7.46	70	7	2	9.33	20.06	43.25	8.66	2.15	20.19	5.77	1.47
T 70 x 70 x 8	8.46	70	8	2	10.58	20.42	48.43	9.77	2.14	23.13	6.61	1.48
T 70 x 70 x 9	9.45	70	9	2	11.81	20.78	53.41	10.85	2.13	26.10	7.46	1.49
T 70 x 70 x 10	10.41	70	10	2	13.02	21.14	58.18	11.91	2.11	29.08	8.31	1.49
T 75 x 75 x 5	5.81	75	5	2	7.27	20.57	39.87	7.32	2.34	17.65	4.71	1.56
T 75 x 75 x 6	6.93	75	6	2	8.66	20.94	46.92	8.68	2.33	21.22	5.66	1.57
T 75 x 75 x 7	8.02	75	7	2	10.03	21.31	53.70	10.00	2.31	24.80	6.61	1.57
T 75 x 75 x 8	9.10	75	8	2	11.38	21.67	60.21	11.29	2.30	28.41	7.58	1.58
T 75 x 75 x 9	10.17	75	9	2	12.71	22.04	66.48	12.55	2.29	32.04	8.54	1.59
T 75 x 75 x 10	11.21	75	10	2	14.02	22.40	72.50	13.78	2.27	35.70	9.52	1.60
T 80 x 80 x 5	6.21	80	5	2	7.77	21.82	48.68	8.37	2.50	21.41	5.35	1.66
T 80 x 80 x 6	7.41	80	6	2	9.26	22.19	57.35	9.92	2.49	25.73	6.43	1.67

* Profiles are laser welded with full penetration, equivalent to hot rolled (r = laser seam).
* Profile sind Laser geschweisst Vollenbindung, gleichwertig zu warm gewalzt (r = Laser Naht).
* Profiles sont soudé laser avec pénétration complète, équivalent au laminé à chaud (r = cordon laser).

T



T a flange uguali

Dimensions and tolerance: in accordance with EN 10055
Grade according to EN 10088-3: 1D
Surface condition: blasted and pickled

Gleichschenklige T-Profile Edelstahl Rostfrei

Abmessungen und Toleranzen: gemäß EN 10055
Güte nach EN 10088-3: 1D
Oberflächenbeschaffenheit: gestrahlt und gebeizt

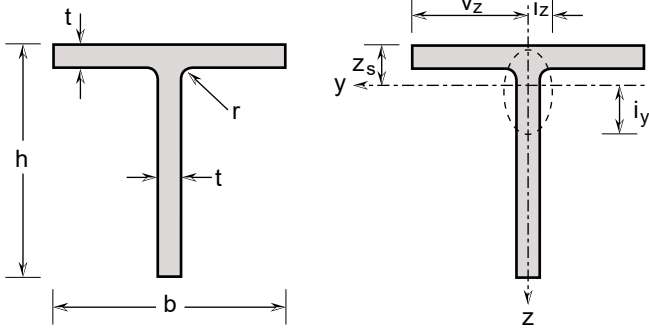
Fers T à ailes égales Acier inoxydable

Dimensions et tolérances: conformes à la norme EN 10055
Nuance selon EN 10088-3: 1D
Etat de surface: sablé et décapé

Designation Bezeichnung Désignation		Dimensions Abmessungen Dimensions				Structural properties / Statische Kennwerte / Valeurs statiques						
		h = b mm	t mm	r* mm	A mm ² x10 ²	Position of axes y-y Lage der Achsen y-y Position des axes y-y Z _s mm	Axis y-y Achse y-y Axe y-y			Axis z-z Achse z-z Axe z-z		
G kg/m						I _y mm ⁴ x10 ⁴	W _{el,y} mm ³ x10 ³	i _y mm x10	I _z mm ⁴ x10 ⁴	W _{el,z} mm ³ x10 ³	i _z mm x10	
T 80 x 80 x 7	8.58	80	7	2	10.73	22.56	65.71	11.44	2.48	30.08	7.52	1.67
T 80 x 80 x 8	9.74	80	8	2	12.18	22.93	73.77	12.92	2.46	34.44	8.61	1.68
T 80 x 80 x 9	10.89	80	9	2	13.61	23.29	81.53	14.38	2.45	38.83	9.71	1.69
T 80 x 80 x 10	12.01	80	10	2	15.02	23.65	89.01	15.80	2.43	43.25	10.81	1.70
T 90 x 90 x 6	8.37	90	6	2	10.46	24.69	82.64	12.65	2.81	36.60	8.13	1.87
T 90 x 90 x 7	9.70	90	7	2	12.13	25.06	94.87	14.61	2.80	42.76	9.50	1.88
T 90 x 90 x 8	11.02	90	8	2	13.78	25.43	106.70	16.53	2.78	48.95	10.88	1.88
T 90 x 90 x 9	12.33	90	9	2	15.41	25.80	118.15	18.40	2.77	55.17	12.26	1.89
T 90 x 90 x 10	13.61	90	10	2	17.02	26.16	129.22	20.24	2.76	61.42	13.65	1.90
T 100 x 100 x 6	9.33	100	6	2	11.66	27.20	114.46	15.72	3.13	50.17	10.03	2.07
T 100 x 100 x 7	10.82	100	7	2	13.53	27.57	131.60	18.17	3.12	58.60	11.72	2.08
T 100 x 100 x 8	12.30	100	8	2	15.38	27.94	148.24	20.57	3.10	67.06	13.41	2.09
T 100 x 100 x 9	13.77	100	9	2	17.21	28.30	164.39	22.93	3.09	75.55	15.11	2.10
T 100 x 100 x 10	15.21	100	10	2	19.02	28.67	180.06	25.24	3.08	84.08	16.82	2.10
T 100 x 100 x 12	18.06	100	12	2	22.58	29.39	210.06	29.75	3.05	101.27	20.25	2.12
T 110 x 110 x 6	10.29	110	6	2	12.86	29.70	153.56	19.12	3.46	66.74	12.13	2.28
T 110 x 110 x 7	11.94	110	7	2	14.93	30.07	176.78	22.12	3.44	77.94	14.17	2.28
T 110 x 110 x 8	13.58	110	8	2	16.98	30.44	199.38	25.06	3.43	89.17	16.21	2.29
T 110 x 110 x 9	15.21	110	9	2	19.01	30.81	221.37	27.95	3.41	100.44	18.26	2.30
T 110 x 110 x 10	16.81	110	10	2	21.02	31.17	242.78	30.80	3.40	111.75	20.32	2.31
T 110 x 110 x 11	18.41	110	11	2	23.01	31.54	263.61	33.60	3.38	123.11	22.38	2.31
T 110 x 110 x 12	19.98	110	12	2	24.98	31.90	283.90	36.35	3.37	134.51	24.46	2.32
T 120 x 120 x 7	13.06	120	7	2	16.33	32.57	231.28	26.45	3.76	101.12	16.85	2.49
T 120 x 120 x 8	14.86	120	8	2	18.58	32.94	261.12	29.99	3.75	115.68	19.28	2.50
T 120 x 120 x 9	16.65	120	9	2	20.81	33.31	290.23	33.48	3.73	130.28	21.71	2.50
T 120 x 120 x 10	18.41	120	10	2	23.02	33.68	318.62	36.91	3.72	144.92	24.15	2.51
T 120 x 120 x 11	20.17	120	11	2	25.21	34.04	346.32	40.29	3.71	159.61	26.60	2.52

* Profiles are laser welded with full penetration, equivalent to hot rolled (r = laser seam).
* Profile sind Laser geschweisst Vollenbindung, gleichwertig zu warm gewalzt (r = Laser Naht).
* Profiles sont soudé laser avec pénétration complète, équivalent au laminé à chaud (r = cordon laser).

T



T a flange uguali

Dimensions and tolerance: in accordance with EN 10055
Grade according to EN 10088-3: 1D
Surface condition: blasted and pickled

Gleichschenklige T-Profile Edelstahl Rostfrei

Abmessungen und Toleranzen: gemäß EN 10055
Güte nach EN 10088-3: 1D
Oberflächenbeschaffenheit: gestrahlt und gebeizt

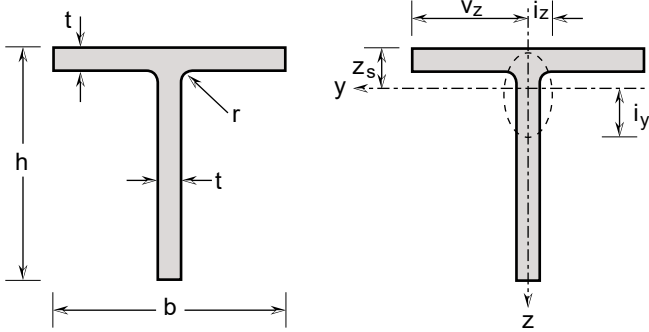
Fers T à ailes égales Acier inoxydable

Dimensions et tolérances: conformes à la norme EN 10055
Nuance selon EN 10088-3: 1D
Etat de surface: sablé et décapé

Designation Bezeichnung Désignation		Dimensions Abmessungen Dimensions				Structural properties / Statische Kennwerte / Valeurs statiques											
		h = b mm	t mm	r* mm	A mm ² x10 ²	Position of axes y-y Lage der Achsen y-y Position des axes y-y	Axis y-y Achse y-y Axe y-y			Axis z-z Achse z-z Axe z-z							
G kg/m	Z _s mm	I _y mm ⁴ x10 ⁴	W _{el,y} mm ³ x10 ³	i _y mm x10	I _z mm ⁴ x10 ⁴	W _{el,z} mm ³ x10 ³	i _z mm x10										
T 120 x 120 x 12	21.90	120	12	2	27.38	34.41	373.34	43.62	3.69	174.36	29.06	2.52					
T 120 x 120 x 13	23.62	120	13	2	29.53	34.77	399.71	46.90	3.68	189.16	31.53	2.53					
T 120 x 120 x 15	27.01	120	15	2	33.77	35.49	450.55	53.31	3.65	218.95	36.49	2.55					
T 130 x 130 x 8	16.14	130	8	2	20.18	35.45	334.46	35.37	4.07	146.99	22.61	2.70					
T 130 x 130 x 9	18.09	130	9	2	22.61	35.81	372.08	39.50	4.06	165.51	25.46	2.71					
T 130 x 130 x 10	20.01	130	10	2	25.02	36.18	408.84	43.58	4.04	184.08	28.32	2.71					
T 130 x 130 x 11	21.93	130	11	2	27.41	36.55	444.77	47.59	4.03	202.71	31.19	2.72					
T 130 x 130 x 12	23.82	130	12	2	29.78	36.91	479.88	51.55	4.01	221.40	34.06	2.73					
T 130 x 130 x 13	25.70	130	13	2	32.13	37.28	514.21	55.46	4.00	240.15	36.95	2.73					
T 130 x 130 x 15	29.41	130	15	2	36.77	38.00	580.57	63.11	3.97	277.86	42.75	2.75					
T 140 x 140 x 8	17.42	140	8	2	21.78	37.95	420.41	41.20	4.39	183.50	26.21	2.90					
T 140 x 140 x 9	19.53	140	9	2	24.41	38.32	468.05	46.03	4.38	206.60	29.51	2.91					
T 140 x 140 x 10	21.61	140	10	2	27.02	38.69	514.68	50.80	4.36	229.75	32.82	2.92					
T 140 x 140 x 11	23.69	140	11	2	29.61	39.05	560.33	55.51	4.35	252.97	36.14	2.92					
T 140 x 140 x 12	25.74	140	12	2	32.18	39.42	605.03	60.15	4.34	276.24	39.46	2.93					
T 140 x 140 x 13	27.78	140	13	2	34.73	39.78	648.78	64.74	4.32	299.59	42.80	2.94					
T 140 x 140 x 15	31.81	140	15	2	39.77	40.51	733.56	73.73	4.29	346.52	49.50	2.95					
T 150 x 150 x 8	18.70	150	8	2	23.38	40.45	519.96	47.46	4.72	225.61	30.08	3.11					
T 150 x 150 x 9	20.97	150	9	2	26.21	40.82	579.27	53.06	4.70	253.98	33.86	3.11					
T 150 x 150 x 10	23.21	150	10	2	29.02	41.19	637.41	58.58	4.69	282.42	37.66	3.12					
T 150 x 150 x 12	27.66	150	12	2	34.58	41.92	750.27	69.42	4.66	339.49	45.27	3.13					
T 150 x 150 x 13	29.86	150	13	2	37.33	42.29	805.05	74.74	4.64	368.13	49.08	3.14					
T 150 x 150 x 15	34.21	150	15	2	42.77	43.02	911.40	85.19	4.62	425.67	56.76	3.15					
T 150 x 150 x 20	44.81	150	20	2	56.02	44.81	1159.75	110.26	4.55	571.17	76.16	3.19					
T 160 x 160 x 10	24.81	160	10	2	31.02	43.69	778.26	66.91	5.01	342.58	42.82	3.32					
T 160 x 160 x 12	29.58	160	12	2	36.98	44.43	917.12	79.35	4.98	411.73	51.47	3.34					
T 160 x 160 x 13	31.94	160	13	2	39.93	44.79	984.64	85.47	4.97	446.43	55.80	3.34					

* Profiles are laser welded with full penetration, equivalent to hot rolled (r = laser seam).
* Profile sind Laser geschweisst Vollenbindung, gleichwertig zu warm gewalzt (r = Laser Naht).
* Profiles sont soudé laser avec pénétration complète, équivalent au laminé à chaud (r = cordon laser).

T



T a flange uguali

Dimensions and tolerance: in accordance with EN 10055
Grade according to EN 10088-3: 1D
Surface condition: blasted and pickled

Gleichschenklige T-Profil Edelstahl Rostfrei

Abmessungen und Toleranzen: gemäß EN 10055
Güte nach EN 10088-3: 1D
Oberflächenbeschaffenheit: gestrahlt und gebeizt

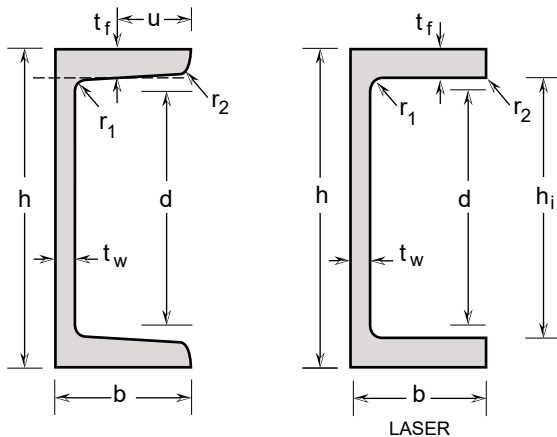
Fers T à ailes égales Acier inoxydable

Dimensions et tolérances: conformes à la norme EN 10055
Nuance selon EN 10088-3: 1D
Etat de surface: sablé et décapé

Designation Bezeichnung Désignation		Dimensions Abmessungen Dimensions				Structural properties / Statische Kennwerte / Valeurs statiques						
		h = b mm	t mm	r* mm	A mm ² x10 ²	Position of axes y-y Lage der Achsen y-y Position des axes y-y Z _s mm	Axis y-y Achse y-y Axe y-y			Axis z-z Achse z-z Axe z-z		
G kg/m						I _y mm ⁴ x10 ⁴	W _{el,y} mm ³ x10 ³	i _y mm x10	I _z mm ⁴ x10 ⁴	W _{el,z} mm ³ x10 ³	i _z mm x10	
T 160 x 160 x 15	36.61	160	15	2	45.77	45.52	1115.96	97.48	4.94	516.08	64.51	3.36
T 160 x 160 x 20	48.01	160	20	2	60.02	47.33	1423.86	126.37	4.87	692.00	86.50	3.40
T 180 x 180 x 10	28.01	180	10	2	35.02	48.70	1119.34	85.25	5.65	487.42	54.16	3.73
T 180 x 180 x 12	33.42	180	12	2	41.78	49.43	1321.62	101.22	5.62	585.62	65.07	3.74
T 180 x 180 x 13	36.10	180	13	2	45.13	49.80	1420.28	109.08	5.61	634.86	70.54	3.75
T 180 x 180 x 15	41.41	180	15	2	51.77	50.53	1612.75	124.57	5.58	733.64	81.52	3.76
T 180 x 180 x 20	54.41	180	20	2	68.02	52.34	2067.08	161.93	5.51	982.67	109.19	3.80
T 200 x 200 x 10	31.21	200	10	2	39.02	53.70	1547.93	105.80	6.30	668.25	66.83	4.14
T 200 x 200 x 12	37.26	200	12	2	46.58	54.44	1830.54	125.76	6.27	802.71	80.27	4.15
T 200 x 200 x 13	40.26	200	13	2	50.33	54.81	1968.70	135.59	6.25	870.09	87.01	4.16
T 200 x 200 x 15	46.21	200	15	2	57.77	55.54	2238.91	154.98	6.23	1005.20	100.52	4.17
T 200 x 200 x 20	60.81	200	20	2	76.02	57.36	2880.30	201.93	6.16	1345.34	134.53	4.21
T 250 x 250 x 10	39.21	250	10	2	49.02	66.20	3067.88	166.92	7.91	1304.08	104.33	5.16
T 250 x 250 x 12	46.86	250	12	2	58.58	66.95	3638.35	198.76	7.88	1565.93	125.27	5.17
T 250 x 250 x 13	50.66	250	13	2	63.33	67.32	3918.50	214.50	7.87	1697.05	135.76	5.18
T 250 x 250 x 15	58.21	250	15	2	72.77	68.05	4468.82	245.61	7.84	1959.74	156.78	5.19
T 250 x 250 x 20	76.81	250	20	2	96.02	69.89	5788.41	321.38	7.76	2619.50	209.56	5.22
T 300 x 300 x 10	47.21	300	10	2	59.02	78.71	5353.51	241.92	9.52	2252.42	150.16	6.18
T 300 x 300 x 12	56.46	300	12	2	70.58	79.45	6361.23	288.43	9.49	2704.15	180.28	6.19
T 300 x 300 x 13	61.06	300	13	2	76.33	79.82	6857.57	311.46	9.48	2930.26	195.35	6.20
T 300 x 300 x 15	70.21	300	15	2	87.77	80.56	7835.50	357.07	9.45	3383.02	225.53	6.21
T 300 x 300 x 20	92.81	300	20	2	116.02	82.40	10196.57	468.60	9.37	4518.67	301.24	6.24

- * Profiles are laser welded with full penetration, equivalent to hot rolled (r = laser seam).
- * Profile sind Laser geschweisst mit Vollenbindung, gleichwertig zu warm gewalzt (r = Laser Naht).
- * Profiles sont soudé laser avec pénétration complète, équivalent au laminé à chaud (r = cordon laser).

UPN



European standard channels

Dimensions: in accordance with EN 10365
Tolerances: EN 10279: 2000

Europäische U-Stahl-Normalprofile

Abmessungen: gemäß EN 10365
Toleranzen: EN 10279: 2000

Fers U normaux européens

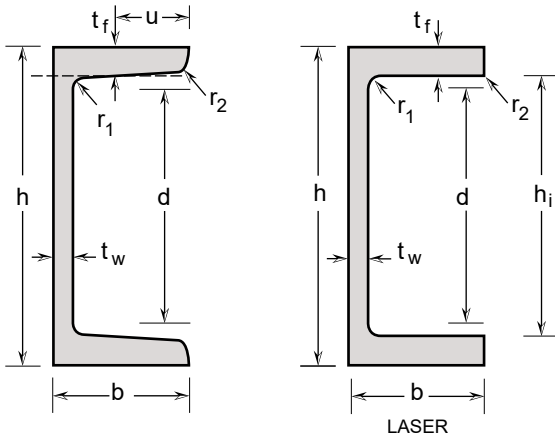
Dimensions: conformes à la norme EN 10365
Tolérances: EN 10279: 2000

General properties / Generelle Eigenschaften / Valeurs generaux

Designation Bezeichnung Désignation	G kg/m	Dimensions Abmessungen Dimensions							Dimensions for detailing Konstruktionsmaße Dimensions de construction		
		h mm	b mm	t _w mm	t _f mm	r ₁ mm	r ₂ mm	A mm ² x10 ²	h _i mm	d mm	u ± = 8%
UPN 20 x 10 x 3	0.89	20	10	3	3.5	3.5	2.5	1.11	-	6.28	5.0
UPN 30 x 15 x 4	1.78	30	15	4	4.5	4.5	2.5	2.23	-	12.10	7.5
UPN 30 x 15 x 4*	1.76	30	15	4	4.5	1	< 1	2.19	21.00	19.00	
UPN 30 x 33 x 5	4.37	30	33	5	7	7	3	5.46	-	2.00	16.5
UPN 40 x 20 x 3	1.83	40	20	3	3.3	3.5	3	2.29	-	26.80	10.0
UPN 40 x 20 x 3*	1.92	40	20	3	3.5	1	< 1	2.39	33.00	31.00	
UPN 40 x 20 x 4	2.43	40	20	4	4.5	4.5	3	3.04	-	22.00	10.0
UPN 40 x 20 x 4*	2.44	40	20	4	4.5	1	< 1	3.04	31.00	29.00	
UPN 40 x 35 x 5	4.98	40	35	5	7	7	3	6.23	-	12.00	17.5
UPN 40 x 35 x 5*	4.96	40	35	5	7	1	< 1	6.20	26.00	24.00	
UPN 50 x 25 x 5	3.90	50	25	5	6	5	3.5	4.87	-	25.70	12.5
UPN 50 x 25 x 5*	3.92	50	25	5	6	1	< 1	4.90	38.00	36.00	
UPN 50	5.60	50	38	5	7	7	3.5	7.00	-	21.00	19.0
UPN 50*	5.70	50	38	5	7	1	< 1	7.12	36.00	34.00	
UPN 60 x 30 x 6	5.16	60	30	6	6	6	4	6.45	-	35.50	15.0
UPN 60 x 30 x 6*	5.19	60	30	6	6	1	< 1	6.48	48.00	46.00	
UPN 65	7.11	65	42	5.5	7.5	7.5	4	8.88	-	34.00	21.0
UPN 65*	7.24	65	42	5.5	7.5	1	< 1	9.05	50.00	48.00	
UPN 80	8.68	80	45	6	8	8	4	10.85	-	47.00	22.5
UPN 80*	8.74	80	45	6	8	2	< 1	11.06	64.00	60.00	
UPN 100	10.61	100	50	6	8.5	8.5	4.5	13.26	-	64.00	25.0
UPN 100*	10.66	100	50	6	8.5	2	< 1	13.50	83.00	79.00	

Profiles are * also available or + only available as laser welded with full penetration, non tapered, equivalent to hot rolled (r = laser seam).
Profile sind * auch bzw. + nur Lasergeschweisst mit Vollenbindung erhältlich, ohne Konizität, gleichwertig zu warm gewalzt (r = Laser Naht).
Profils sont disponibles * aussi ou + seulement soudé laser avec pénétration complète, non conique, équivalent au laminé à chaud (r = cordon laser).

UPN



European standard channels

Dimensions: in accordance with EN 10365
Tolerances: EN 10279: 2000

Europäische U-Stahl-Normalprofile

Abmessungen: gemäß EN 10365
Toleranzen: EN 10279: 2000

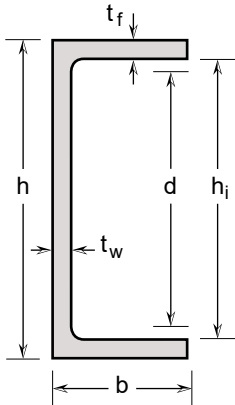
Fers U normaux européens

Dimensions: conformes à la norme EN 10365
Tolérances: EN 10279: 2000

General properties / Generelle Eigenschaften / Valeurs generaux

Designation Bezeichnung Désignation		Dimensions Abmessungen Dimensions							Dimensions for detailing Konstruktionsmaße Dimensions de construction		
	G kg/m	h mm	b mm	t _w mm	t _f mm	r ₁ mm	r ₂ mm	A mm ² x10 ²	h _i mm	d mm	u ± = 8%
UPN 120	13.40	120	55	7	9	9	4.5	16.75	-	82.00	27.5
UPN 120*	13.48	120	55	7	9	2	< 1	17.06	102.00	98.00	
UPN 140	16.08	140	60	7	10	10	5	20.10	-	98.00	30.0
UPN 140*	16.13	140	60	7	10	2	< 1	20.42	120.00	116.00	
UPN 160	18.96	160	65	7.5	10.5	10.5	5.5	23.70	-	115.00	32.5
UPN 160*	19.03	160	65	7.5	10.5	2	< 1	24.09	139.00	135.00	
UPN 180	22.09	180	70	8	11	11	5.5	27.61	-	133.00	35.0
UPN 180*	22.17	180	70	8	11	2	< 1	28.06	158.00	154.00	
UPN 200*	25.53	200	75	8.5	11.5	2	< 1	32.31	177.00	173.00	
UPN 220*	29.68	220	80	9	12.5	2	< 1	37.57	195.00	191.00	
UPN 240*	33.53	240	85	9.5	13	2	< 1	42.45	214.00	210.00	
UPN 260*	38.25	260	90	10	14	2	< 1	48.42	232.00	228.00	
UPN 280*	42.28	280	95	10	15	2	< 1	53.52	250.00	246.00	
UPN 300*	46.47	300	100	10	16	2	< 1	58.82	268.00	264.00	
UPN 320*	59.18	320	100	14	17.5	2	< 1	74.92	285.00	281.00	
UPN 350*	60.46	350	100	14	16	2	< 1	76.54	318.00	314.00	
UPN 380*	62.91	380	102	13.5	16	2	< 1	79.64	348.00	344.00	
UPN 400*	71.56	400	110	14	18	2	< 1	90.58	364.00	360.00	

Profiles are * also available or + only available as laser welded with full penetration, non tapered, equivalent to hot rolled (r = laser seam).
Profile sind * auch bzw. + nur Lasergeschweisst mit Vollenbindung erhältlich, ohne Konizität, gleichwertig zu warm gewalzt (r = Laser Naht).
Profiles sont disponibles * aussi ou + seulement soudé laser avec pénétration complète, non conique, équivalent au laminé à chaud (r = cordon laser).



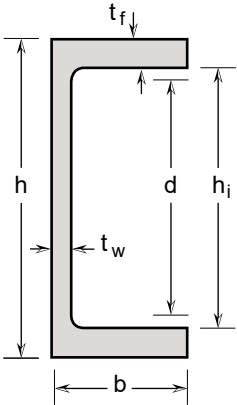
Pofilo U con flange parallele

Dimensions: in accordance with EN 10365
Tolerances: EN 10279: 2000

General properties / Generelle Eigenschaften / Valeurs generaux								
Designation Bezeichnung Désignation	G kg/m	Dimensions Abmessungen Dimensions					Dimensions for detailing Konstruktionsmaße Dimensions de construction	
		h mm	b mm	t _w mm	t _f mm	A mm ² x10 ²	h _i mm	d mm
UPA 50x25x3	2.3	50	25	3	3	2.86	44.0	38.0*
UPA 60x30x5	4.5	60	30	5	5	5.61	50.0	40.0+ / 46.0*
UPA 80x40x4	4.9	80	40	4	4	6.10	72.0	68.0**
UPA 80x40x5	6.1	80	40	5	5	7.65	70.0	60.0+ / 66.0*
UPA 80x40x6	7.2	80	40	6	6	9.03	68.0	56.0+ / 64.0*
UPA 100x50x4	6.3	100	50	4	4	7.83	92.0	84.0+ / 88.0*
UPA 100x50x5	7.7	100	50	5	5	9.65	90.0	80.0+ / 86.0*
UPA 100x50x6	9.1	100	50	6	6	11.43	88.0	76.0+ / 84.0*
UPA 120x60x5	9.2	120	60	5	5	11.61	110.0	106.0*
UPA 120x60x6	11.1	120	60	6	6	13.83	108.0	96.0+ / 104.0*
UPA 130x65x6	12.0	130	65	6	6	15.03	118.0	106.0+ / 114.0*
UPA 130x65x9	17.7	130	65	9	9	22.13	112.0	94.0+ / 108*
UPA 140x70x7	15.1	140	70	7	7	18.83	126.0	122.0*
UPA 150x75x6	13.9	150	75	6	6	17.43	138.0	134.0*
UPA 150x75x9	20.3	150	75	9	9	25.4	132.0	128.0*
UPA 160x80x6	14.9	160	80	6	6	18.63	148.0	140.0*
UPA 160x80x8	19.7	160	80	8	8	24.59	144.0	140.0*
UPA 180x90x8	22	180	90	8	8	27.54	164.0	160.0*
UPA 200x100x8	24.6	200	100	8	8	30.74	184.0	180.0*
UPA 200x100x10	30.4	200	100	10	10	38.02	180.0	176.0*

Profiles are produced with *hot rolled or *laser welded execution.
Profile sind in *warm gewalzter oder *lasergeschweisster Ausführung.
Profils sont en exécution *laminé à chaud ou *reconstitué soudé laser.

UPE



Profilo U flange parallele

Dimensions: in accordance with EN 10365 Tolerances: EN 10279: 2000

U-Profile mit parallelen Flanschen

Abmessungen: gemäß EN 10365 Toleranzen: EN 10279: 2000

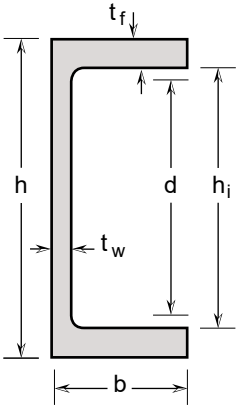
Fers U à ailes parallèles

Dimensions: conformes à la norme EN 10365 Tolérances: EN 10279: 2000

General properties / Generelle eigenschaften / Valeurs Generaux

Designation Bezeichnung Désignation		Dimensions Abmessungen Dimensions					Dimensions for detailing Konstruktionsmaße Dimensions de construction	
	G kg/m	h mm	b mm	t _w mm	t _f mm	A mm ² x10 ²	h _i mm	d mm
UPE 80	7.7	80	50	4	7	9.66	66.0	62.0
UPE 100	9.7	100	55	4.5	7.5	12.09	85.0	81.0
UPE 120	11.9	120	60	5	8	14.82	104.0	100.0
UPE 140	14.3	140	65	5	9	17.82	122.0	118.0
UPE 160	16.9	160	70	5.5	9.5	21.07	141.0	137.0
UPE 180	19.6	180	75	5.5	10.5	24.51	159.0	155.0
UPE 200	22.6	200	80	6	11	28.30	178.0	174.0
UPE 220	26.5	220	85	6.5	12	33.16	196.0	192.0
UPE 240	30.1	240	90	7	12.5	37.57	215.0	211.0
UPE 270	35.1	270	95	7.5	13.5	43.89	243.0	239.0
UPE 300	44.5	300	100	9.5	15	55.67	270.0	266.0
UPE 330	53.1	330	105	11	16	66.40	298.0	294.0
UPE 360	61.2	360	110	12	17	76.54	326.0	322.0
UPE 400	72.4	400	115	13.5	18	90.56	364.0	360.0

PFC



U Profilo flange paralele

Dimensions: in accordance with EN 10365 Tolerances: EN 10279: 2000

U-Profile mit parallelen Flanschen

Abmessungen: gemäß EN 10365 Toleranzen: EN 10279: 2000

Fers U à ailes parallèles

Dimensions: conformes à la norme EN 10365 Tolérances: EN 10279: 2000

General properties / Generelle eigenschaften / Valeurs Generaux

Designation Bezeichnung Désignation		Dimensions Abmessungen Dimensions					Dimensions for detailing Konstruktionsmaße Dimensions de construction	
	G kg/m	h mm	b mm	t _w mm	t _f mm	A mm ² x10 ²	h _i mm	d mm
PFC 100 × 50 × 10	10.1	100	50	5	8.5	12.67	83	79
PFC 125 × 65 × 15	14.6	125	65	5.5	9.5	18.20	106	102
PFC 150 × 75 × 18	17.7	150	75	5.5	10	22.17	130	126
PFC 150 × 90 × 24	23.8	150	90	6.5	12	29.81	126	122
PFC 180 × 75 × 20	20.2	180	75	6	10.5	25.31	159	155
PFC 180 × 90 × 26	26.1	180	90	6.5	12.5	32.59	155	151
PFC 200 × 75 × 23	23.4	200	75	6	12.5	29.27	175	171
PFC 200 × 90 × 30	29.8	200	90	7	14	37.26	172	168
PFC 230 × 75 × 26	25.7	230	75	6.5	12.5	32.09	205	201
PFC 230 × 90 × 32	32.3	230	90	7.5	14	40.37	202	198
PFC 260 × 75 × 28	27.6	260	75	7	12	34.54	236	232
PFC 260 × 90 × 35	35.0	260	90	8	14	43.78	232	228
PFC 300 × 90 × 41	41.7	300	90	9	15.5	52.13	269	265
PFC 300 × 100 × 46	45.6	300	100	9	16.5	57.05	267	263
PFC 380 × 100 × 54	54.2	380	100	9.5	17.5	67.79	345	341
PFC 430 × 100 × 64	64.9	430	100	11	19	81.14	392	388

Coferinox s.r.l.

20083 Gaggiano (MI) - Via A. Volta, 66 - Telefono +39 02 4453013

mail: info@coferinox.it - www.coferinox.it